

DriTec™ 4000i Desiccant Dehumidifier

Model F533

LEGEND BRANDS, INC.

15180 Josh Wilson Road, Burlington, WA 98233

Phone: 800-932-3030 Fax: 360-757-7950 www.LegendBrandsRestoration.com

The Legend Brands DriTec 4000i desiccant dehumidifier reduces humidity in enclosed environments by removing water vapor from the air. The 4000i is ideal for water damage restoration, structural drying, construction, and is especially suited for removing moisture from structural materials and contents in cold temperatures or low to medium humidity environments where refrigerant dehumidifiers work less efficiently.

Patents: <http://www.LBpatents.com>

READ AND SAVE THESE INSTRUCTIONS

⚠ WARNING

Read and understand manual before operating.

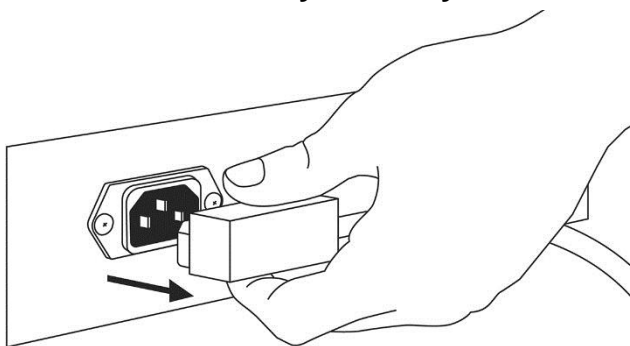


WARNING! Do not alter or modify the unit in any way. Use only replacement parts authorized by Dri-Eaz. Modifications or use of unapproved parts could create a hazard and will void your warranty. Contact your Dri-Eaz location for assistance.

CORRECT PLUG REMOVAL

Grasp IEC plug and pull straight out

IMPORTANT: Damage to IEC receptacle or dehumidifier resulting from improper removal of the power cord is not covered by warranty. The IEC power cord is a wear item and is not covered by warranty.



WARNING! Electric shock hazard, rotating fan, hot surface hazards. **Unplug unit before opening cover for cleaning or servicing. Unit must be grounded.**

- Inspect the power cord before use. If cord is damaged, do not use. Always grasp the plug (not the cord) to unplug.
- Insert three-prong plug on power cord into a matching electrically grounded outlet. Do not use adapter. Never cut off third prong. Do not use an extension cord.
- The unit must be operated on a 115V/60Hz circuit protected by a Ground Fault Circuit Interrupter (GFCI) device.
- Keep motor and wiring dry.
- Do not attempt to repair the unit. For Authorized Service Centers, contact Dri-Eaz.

BEFORE YOU BEGIN

Warranty registration

Visit warranty.LegendBrandsRestoration.com to register your purchase. Registration allows us to better assist you with using, maintaining or servicing your equipment and to contact you in case we have important safety information concerning your Dri-Eaz product. If you determine service is required, have your equipment model, serial number and original proof of purchase available and call your distributor for assistance with obtaining a return material authorization (RMA).

GROUNDING INSTRUCTIONS

This unit's plugs must be inserted into an appropriate outlet that is properly installed and grounded in accordance with all local codes and ordinances.

WARNING! Improper connection of the equipment-grounding conductor can result in a risk of electric shock. Check with a qualified electrician or service person if you are in doubt as to whether the outlets

are properly grounded. Do not modify the plugs provided with the appliance – if the plugs do not fit the outlets, have proper outlets installed by a qualified electrician.

This equipment is for use on circuits with a nominal rating of no more than 120V.

Handle the unit carefully

Always operate the unit on a stable, level surface. Do not drop, throw, or place where it could fall. Rough treatment can damage the unit, and may create a hazardous condition or void the warranty.

This unit intended for household and commercial use.

BEFORE FIRST USE

The unit is shipped with two duct rings and an adaptor kit packed inside the storage compartment. A 3 mm Allen wrench is required for installation of these components.

Required: Install Reactivation Air Outlet duct ring

Install the Reactivation Duct Ring, See Fig. B.

Optional: Install Air Inlet duct ring

Attach to inlet with the thumbscrews provided. See Fig. B.

Optional: Install Process Air Outlet offset screws

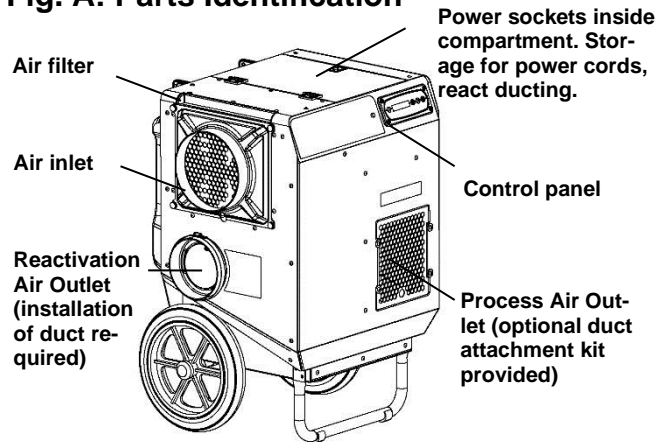
The Process Air Outlet Adaptor Kit may be installed using the offset screws provided. See Fig. B.

CONTROLS AND OPERATING INSTRUCTIONS

Positioning the Dehumidifier

For best results, operate your dehumidifier in an en-

Fig. A: Parts Identification



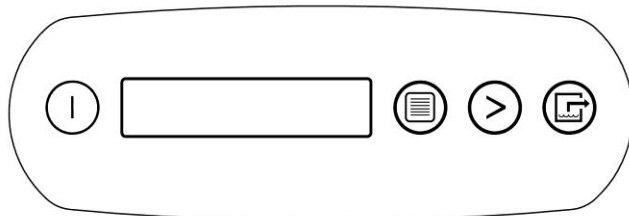
closed area. Close all doors and windows that open to the outside to maximize water removal efficiency. Place your dehumidifier away from any obstructions that could block airflow into and out of the unit. Duct reactivation outlet outdoors through window adapter or dryer vent.

Plug in electrical cords

Always plug the cords firmly into the sockets in the top compartment first, then into the wall outlets. Ensure that the cords are routed properly through the cord cutout notch before closing the storage compartment lid.

NOTICE: The power cords of the DriTec must be plugged into separate GFCI-protected 120V outlets rated for at least 15A.

CONTROL PANEL



Press the **ON/OFF** to turn the unit on.



ON/OFF

When the machine is turned on, the display normally reads PLEASE WAIT WARMING UP. Once the unit completes the warm-up procedure, the display shows UNIT ON XXX HRS and cycles between INLET XXX°F and INLET XX% (RH).



DISPLAY MENU

Cycles through the display of additional dehumidifier conditions and User Settings. To return to the main menu, press the ON/OFF key once.



MENU SELECTION / UP KEY

Change system settings. The MENU SELECTION key acts as the “UP” key for cycling through the setpoints.



WATER REMOVAL

Press and release to show a calculated amount of water removal in pints/day. The unit will display WATER REMOVAL XXX PINTS/24H after 5 minutes of run time. The display will automatically return to the “Unit On” display after a few seconds.

NOTICE: Connect to two separate 15A circuits ONLY. A bright green light on the front of the unit indicates correct connections. No light will show when using only one cord or if both power cords are plugged into the same power circuit.

For best performance, use with two circuits and ensure green light is illuminated. If a second circuit is not available, the unit may be operated on a single power cord. Plug into Circuit 1. Note that the unit will operate at 50% of the rated performance when using a single power cord.

Startup display and normal display modes

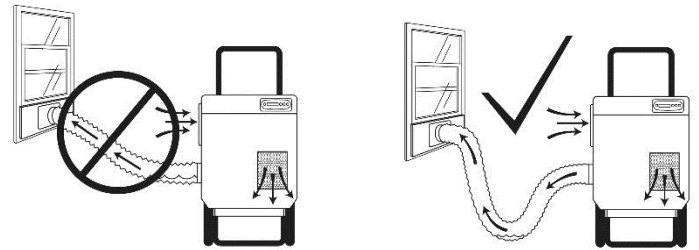
When unit is first plugged in to AC power, the control panel display will briefly cycle through a series of readouts. This is part of the unit's self-diagnosis procedure and no user intervention is required.

Ducting Setup

NOTICE! For indoor use only. Do not expose the unit to rain or snow. If electrical components become wet, allow the unit to dry thoroughly before operating.

1. Reactivation Outlet Ducting

Use the duct clamp provided to attach the ducting to the duct ring. The reactivation air should always be ducted to the outside.



NOTICE

Condensation may collect in the reactivation duct during operation. Do not allow water to run back into the unit. This could cause a shock hazard or damage to the unit.

NOTICE: Temperatures inside React Out ducting can reach 150°F (66°C). Use only heat-rated ducting as provided.

Process Outlet Ducting

The process out air may be ducted where more focused drying is required. Use with layflat ducting only.

Maximum Ducting Length

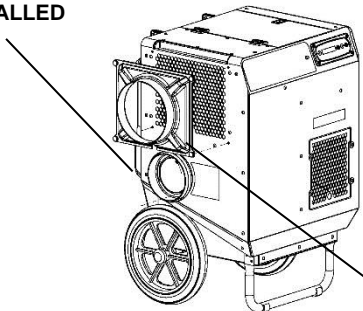
To ensure maximum performance, do not exceed these ducting lengths:

Reactivation air	20 ft. 6 m
Process air	10 ft. 3 m
Inlet air	30 ft. 9.1 m

For more ducting options, see Fig. C.

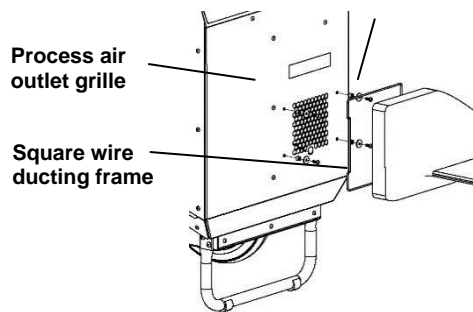
Fig. B: Initial Setup

1. React outlet duct ring. MUST BE INSTALLED



2. Process air in duct (optional)

1. Install 4 standoff screws as shown.



2. Tuck layflat ducting (purchased separately) through square wire frame and fold back outside the frame.

3. Place wire frame inside offset screws and click into place. When not in use, frame may be left in standoffs or placed in storage bin.

USER SETTINGS

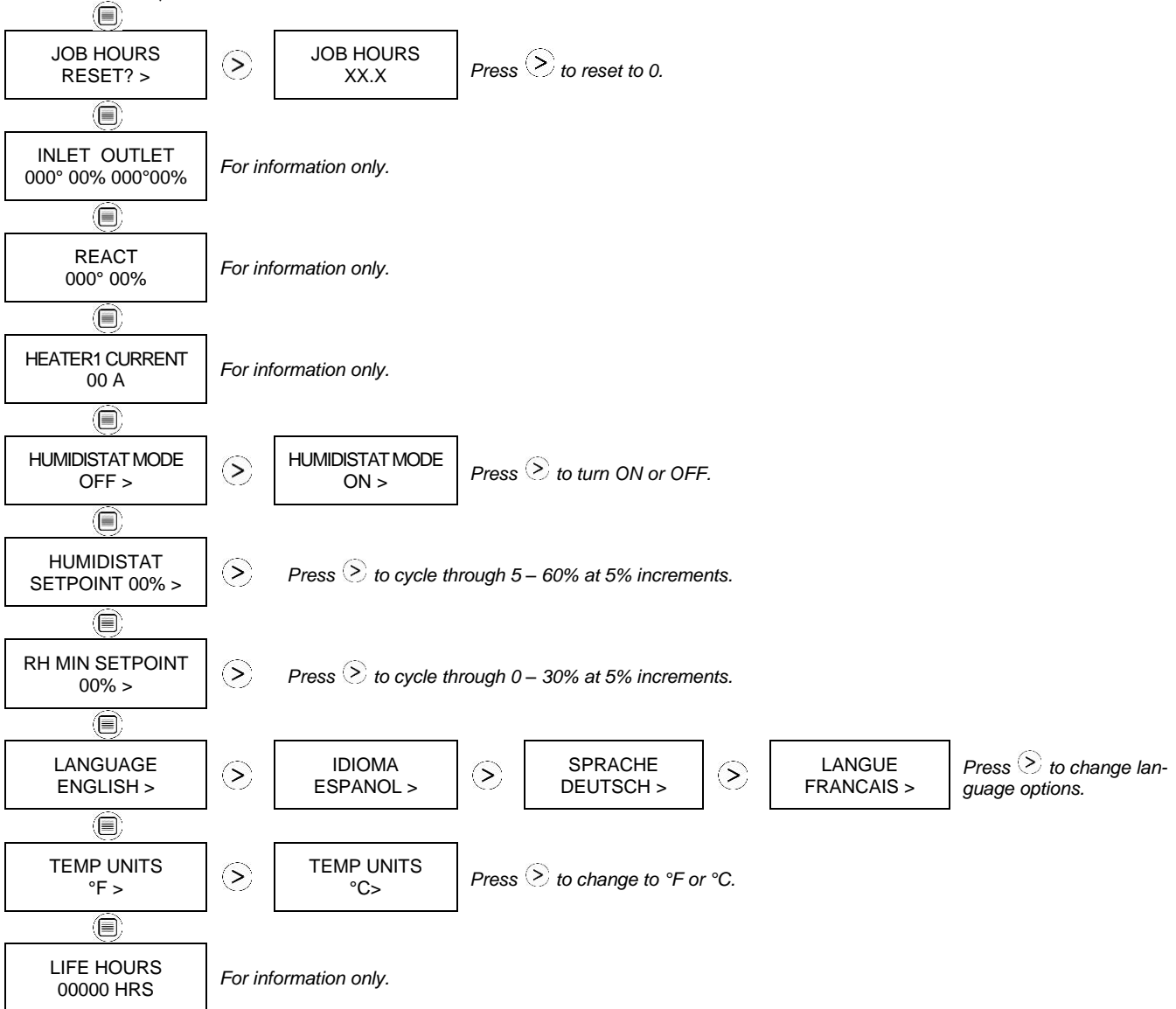
Only menu items followed by a greater-than symbol (>) may be adjusted. In the menu items with reading data (INLET OUTLET, REACT & HEATER1 CURRENT), If no keys are selected for 5 minutes the display will return to normal display mode. In all the other menu items, the display will return to the normal display mode after 20 seconds. Items without the symbol (>) are for information only and cannot be changed or reset.


MAIN MENU: Press

 **DISPLAY MENU**

to proceed to the next menu item. ↓

SUBMENUS: Press  **MENU SELECTION** to change the setting. →



 (Returns to top menu item.)

The following section available only on wireless-equipped units.




 (Returns to top menu item.)

Fig. C: Ducting Options

DriTec™ 4000i Ducting Options

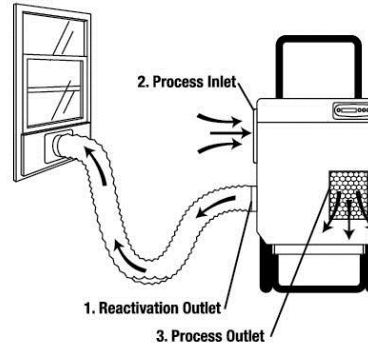
A. Basic Setup

Always duct the Reactivation Outlet, preferably to an outdoor location.

Tips:

- Reactivation ducting must ALWAYS be attached to reactivation outlet. Ducting should be no longer than 20 ft. (6 m).
- Set out the ducting with as few bends as possible.
- Slope the ducting downward away from the machine.

Note: Water may accumulate inside the reactivation ducting. When moving the ducting, take care when not to spill water inside the machine or onto the floor.



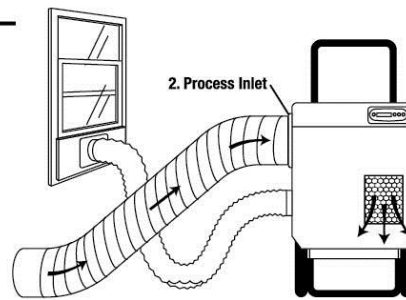
B. Advanced Options

1. Duct inlet (2) to boost performance

Directing colder and/or drier air into the air inlet can improve desiccant performance.

Tips:

- Do not duct in process air from a refrigerant dehumidifier as it could reduce the efficiency of the desiccant.

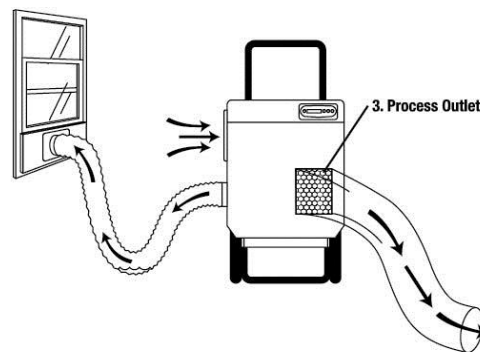


2. Duct process outlet (3) for distributed drying

Duct the process air outlet into hard-to-reach areas and/or to keep the unit close to a suitable outlet for reactivation air.

Tips:

- Use layflat ducting to direct the process air into affected areas.
- For broader distribution of process air, make 4-6 in. cuts at intervals along the layflat ducting and tie off the end.

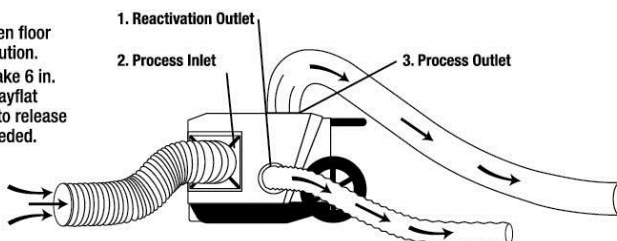


3. Use in crawlspace/low clearance areas

Operate the unit on its back in low ceiling/clearance areas. Duct the reactivation outlet (1) outdoors. If desired, the air inlet (2) and process air outlet (3) may be ducted as described in B1 and B2 above.

Tips:

- Duct the process air between floor joists for convenient distribution.
- For broader distribution, make 6 in. cuts at intervals along the layflat ducting and tie off the end to release the warm, dry air where needed.



TRANSPORTATION AND STORAGE

NOTICE: Handle the unit carefully. Rough treatment can damage this equipment and may create a hazardous condition or void warranty.

- Do not expose the control panel to moisture, snow or rain.
- Store and transport securely to avoid any damaging impact to internal parts.
- Secure during transport to prevent sliding and possible injury to vehicle occupants.

MAINTENANCE

WARNING! ELECTRIC SHOCK HAZARD. Unplug unit before cleaning or servicing.

WARNING: Risk of dust and contaminants exposure. Use of respirator mask and gloves is recommended. If unit has been exposed to potentially dangerous contaminants, clean thoroughly and disinfect before re-use.

As Needed (Exterior items)

Inspect filter. Replace if accumulation of dust and debris is visible.

NOTICE: Replace used filters only with a new Dri-Eaz filter part no. F590 (24-pack). Other filter types do not provide adequate filtration or airflow. Each filter is individually wrapped to protect filtration effectiveness. Remove the wrapper before installing the filter into the dehumidifier.

To maintain appearance, wipe interior and exterior surfaces with a damp cloth.

Inspect reactivation air outlet ducting for cracks, splits or breaks. Replace as needed with suitable heat-resistant ducting.

As Needed (Interior items) See Fig. D.

NOTICE: Electric shock hazard. Unplug unit before removing side panels.

NOTICE: The unit is fitted with sensitive electronic sensors. Protect the sensors and their lead wires from damage and do not expose them to water or cleaning solution.

The following tools and supplies are needed to complete the maintenance procedures described in this manual:

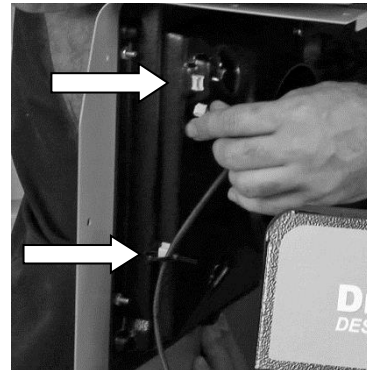
- 3 mm Allen wrench and/or bit and cordless drill
- Clean cloths
- Vacuum cleaner with soft brush tool and/or a high pressure air nozzle

Remove side panel. Remove the screws from the react out / air inlet panel. **IMPORTANT: The inlet temp/RH sensor cable is attached to the interior of the panel and must be detached before setting the panel aside.** To remove the cable, first unclip the plug and then slide the cable down and out of the cable tie. Once the cable is free of the panel, set the panel aside.

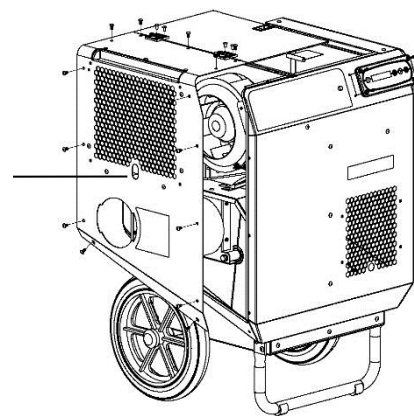
Fig. D: Interior views

IMPORTANT! Temp/RH Sensor cable is attached to inside of panel! Unclip and slide out of cable tie before setting panel aside.

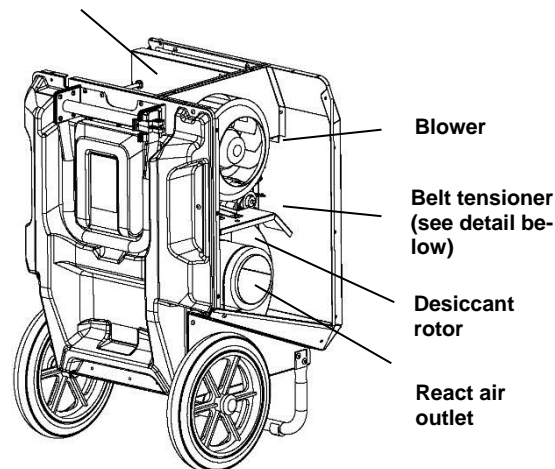
Detach sensor cable before setting side panel aside. Be sure to reinstall cable when replacing panel.



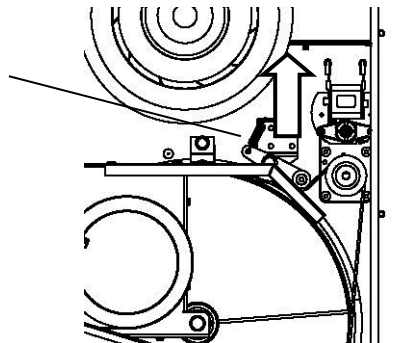
React out/air in panel. Remove this panel only for routine interior inspection and cleaning.



Storage compartment.



Belt tensioner. Lift arm upward to release belt.



Inspect and clean blower

Check that the impeller rotates freely. Vacuum or wipe clean all surfaces.

Inspect and clean desiccant rotor

Ensure that rotor is clear of dust and debris.

Vacuum or use pressurized air to remove dust from rotor.

Inspect rotor belt. Check cracks or excessive wear. Contact your local distributor for replacement instructions.

Vacuum interior to remove dust and debris. Wipe interior surfaces with clean, dry cloth. Do not apply water or cleaning solutions of any kind. Take care not to damage electronic sensors and wires.

Reattach side panel. Reattach sensor cable inside panel. Thread the cable up through the zip tie and then plug in the cable. Now install screws, finger tight only, starting at the top and working down. Once all screws are properly started, then use a hand tool to tighten the screws snugly. Do not overtighten. Do not use a power tool to tighten screws.

PUMP PURGE BUTTON

The Control Panel will display the following messages when the Pump Purge Button is pressed.

CONTROL PANEL MESSAGE	EXPLANATION
PLEASE WAIT CALCULATING	Unit is calculating water removal.
PERFORMANCE XXX PINTS/24H	Displays calculated water removal in units indicated per day.


SYSTEM MESSAGES

The Control Panel will display the following messages based on system performance and environmental conditions. User action, if any is required, is indicated in the third column.

CONTROL PANEL MESSAGE	EXPLANATION	USER ACTION
INITIALIZING	Unit is powering up.	None
FIRMWARE VERSION XXX	Indicates control board firmware version number.	None
F533-XX	Model number.	None
OFF/ON	Unit has finished powering up and is operating.	None
PLEASE WAIT WARMING UP	Fan will not operate until unit reaches proper operating temperature, approximately 10 seconds..	None
UNIT ON XXXX HRS INLET XXX°F / XX%	First line: indicates total operating hours. Second line: Toggles between inlet temperature and inlet RH every 2 seconds.	None
HUMIDISTAT INLET XXX°F / XX%	First line: indicates unit is in humidistat mode Second line: Toggles between inlet temperature and inlet RH every 2 seconds.	None
PLEASE WAIT COOLING	Fan will operate until unit cools down. Approx 30 seconds.	None
XXXXX POWER FAILURE>	Indicates power has been interrupted during operation.	Press the > key to reset
CLEAN FILTER > XXXXX	Prompt to clean or change filter.	Change or clean filter. Press the > key to reset
CLEAN ROTOR > XXXXX	Prompt to clean rotor.	Clean rotor. Press the > key to reset

ERROR MESSAGES

If the control system detects an error, it will produce an error (“ER”) message. If this occurs, first unplug the unit and then plug it back in. This will usually reset the electronics, and the unit will begin operating normally. If the error message reappears, refer to the explanations and solutions shown below. If these solutions do not fix the problem, contact your local authorized service center.

NOTE: The message “POWER FAILURE” is not a system error. When this message is displayed, it indicates that power to unit was interrupted and then restored. To clear the message, press the  MENU SELECTION key.


CONTROL PANEL MESSAGE	EXPLANATION AND SOLUTION
ER1 CONTACT SERVICE CENTER	Indicates a serious internal problem. The electronic control panel may require replacement. Contact service. Air Inlet temperature set point for cycling air conditioner to control temperature. Check AC power for low voltage.
ER2 CONTACT SERVICE CENTER	Control panel error. The electronic control panel may require replacement. If error persists, contact service.
ER3 CHECK ROTOR MOTOR	React Temp minus Inlet Temp difference too high indicates rotor stopping – belt or drive motor issue. Check belt tension, belt failure, rotor cleats, and motor operation.
ER4 CHECK AIRFLOW	Heater amps too low indicates fan issue and/or inlet airflow restriction. Clear any obstructions from inlet, clean inlet filter and/or check fan operation.
ER5 REACT SENSOR CONNECT or ER5 PROCESS SENSOR CONNECT	Temp sensor is open, missing, or shorted. Check that temp sensors are installed correctly on control panel. If error persists, contact service.
ER6 SENSOR CONNECTION ON BD	Inlet Temp/RH sensor is open, missing, or shorted. Check that inlet temp/RH sensor is installed correctly on control panel and inlet shroud. If error persists, contact service.
ER7 CONTACT SERVICE CENTER	Current sensor failure. If error persists, contact service.
ER8 INVALID MODEL SETTING	Incorrect or unsupported DIP switch settings. Contact Dri-Eaz service department for correct DIP switch settings.
ER9 BUTTON STUCK ALL BUTTONS	Key is stuck or has been held down too long. Contact service,
ER10 WIRELESS CONNECTION ON BD	Wireless board has failed, Board is missing, shorted or has fallen off the control panel. Reinstall wireless board to clear error. Contact service.

TROUBLESHOOTING

FAULT	CAUSE	SOLUTION
Separate circuit indicator light does not illuminate	Unit not plugged into two separate circuits. Incorrect wiring in the building.	Plug unit into two separate circuits rated for at least 15 amps each. Locate a second 15 amp circuit in the structure.
Circuit breaker trips after a few minutes of operation.	Reactivation outlet not ducted. Ducting is kinked or blocked. Excessively long ducting.	The Reactivation Out must always be ducted out of the area being ducted. Straighten all ducting as much as possible; remove any blockages. React ducting length should not exceed 20 ft. (6 m).
Unit does not operate	Unit not switched on. No power to machine.	Switch unit on. Check power cord connections at wall outlet and in top compartment of unit. Check supply circuit breakers.
Unit operating, but room not dry	Not enough time to dry. Poor air movement in room. Excessive moist air infiltration.	Allow more time for drying. Increase evaporation with air movers. Seal off area to reduce infiltration.
Unit removes too little water	Room air is dry. Inlet air temperature is too warm. Inlet air temperature is too damp. Filter is clogged.	Confirm humidity level with hygrometer. Decrease temperature of intake air. Decrease humidity of intake air. Check filter. Clean or replace as necessary.
<p><i>If the problem you are experiencing is not listed here, call your local distributor or contact our Service Department toll-free at 800-932-3030 for further assistance.</i></p>		

SPECIFICATIONS

Power	115V / 60 Hz
Amps (max.)	24
Amps (at 80°F/60%RH)	Circuit 1: 10.7 Circuit 2: 10.8
Process air	395 CFM
Reactivation air	65 CFM
Water removal (at 80°F/60%RH)	118 pints/day 55.8 L per/day
Weight	95 lbs. 43.1 kg
Dimensions (H x W x D)	33.13 x 21.14 x 20.25 in. (With handle upright = 42.250 in.) 84.15 x 53.7 x 51.4 cm (With handle upright = 107.3 cm.)
Air filter	F590 (24 pk)
Safety	ETL listed to CSA dehumidifier standards

 **WARNING:** This product may expose you to chemicals, including lead and phthalates, known to the State of California to cause cancer, birth defects, or other reproductive harm. For more information, go to P65Warnings.ca.gov

PARTS INCLUDED

- Reactivation Out duct ring adapter
- Reactivation Out heat-resistant ducting, 20 ft. x 6 in.
- 6 in. duct clamp
- Air inlet duct ring adapter (optional, installation required)
- Process air outlet layflat duct adaptor kit (optional, installation required)
- Two power cords, 25 ft. each

OPTIONAL

Layflat ducting for process air outlet (F536)

ADDITIONAL PRODUCT INFORMATION and current documentation is available at www.LegendBrandsRestoration.com.

FOR PARTS AND SERVICE CALL YOUR LOCAL DISTRIBUTOR or Dri-Eaz at 800-932-3030. www.LegendBrandsRestoration.com

Visit warranty.LegendBrandsRestoration.com and register your purchase to ensure you receive any important product releases.

Manual del Usuario

Deshumidificador Disecante DriTec™ 4000i

Modelo F533

LEGEND BRANDS, INC.

15180 Josh Wilson Road, Burlington, WA 98233

Teléfono: 800-932-3030 Fax: 360-757-7950 www.LegendBrandsRestoration.com

El Deshumidificador Disecante Legend Brands DriTec 4000i reduce la humedad en entornos cerrados, quitando el vapor de agua del aire. El 4000i es ideal para la restauración de daños causados por el agua, secado de estructuras, construcción, y especialmente indicado para quitar la humedad de materiales y contenidos estructurales a baja temperatura o en ambientes de humedad baja a intermedia, donde los deshumidificadores refrigerantes trabajan con menor eficiencia

Patentes: <http://www.LBpatents.com>

LEA Y CONSERVE ESTAS INSTRUCCIONES

⚠️ ADVERTENCIA

Lea y comprenda el manual, antes de operarlo.



¡IMPORTANTES INSTRUCCIONES DE SEGURIDAD!

¡ADVERTENCIA! Peligro de sufrir una descarga eléctrica, lastimarse con el ventilador rotatorio y quemarse con una superficie caliente. Desenchufe la unidad antes de abrir la tapa para limpiarla o hacerle mantenimiento. La unidad debe tener descarga a tierra.

- Controle el cable de alimentación antes de usarlo. Si está dañado, no lo use. Para desenchufar la unidad, tire siempre del enchufe (nunca del cable).
- Coloque el enchufe de tres clavijas que está en el extremo del cable de alimentación en un tomacorriente con descarga a tierra adecuado. No use adaptadores. Nunca corte la tercera clavija. No use cables prolongadores.
- La unidad debe utilizarse en un circuito eléctrico de 115 V/60 Hz, protegido por un interruptor del circuito de fallos de conexión a tierra (GFCI, por sus siglas en inglés).
- No utilice el aparato en agua estancada. Mantenga el motor y los cables secos.

ANTES DE INICIAR

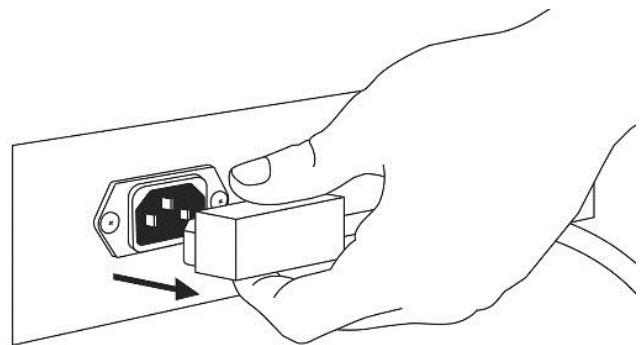
Registro de la Garantía

Visite warranty.LegendBrandsRestoration.com para registrar su compra. El registro nos permite darle una mejor asistencia durante el uso, mantenimiento o reparación de su equipo, y para contactarlo en el caso de que tuviéramos información importante de seguridad relativa a su producto Dri-Eaz. Si cree que su equipo necesita de un service, tenga disponible la información del modelo, número de serie y comprobante original de compra y llame a un distribuidor para obtener asistencia para la obtención de una autorización de devolución de material (RMA).

ADECUADO RETIRO DEL ENCHUFE

Tome el enchufe IEC y tire recto

IMPORTANTE: Cualquier daño en el receptáculo IEC o en el deshumidificador consecuencia de un inadecuado retiro del cable eléctrico no será cubierto por la garantía. El cable eléctrico IEC es un elemento con desgaste y no está cubierto por la garantía.



INSTRUCCIONES PARA PUESTA A TIERRA

Los enchufes de la unidad deben insertarse en tomas adecuadas, correctamente instaladas y con puesta a tierra, de acuerdo con los códigos y ordenanzas locales.

¡ADVERTENCIA! Una conexión inadecuada de la puesta a tierra del equipamiento puede generar un riesgo de shock eléctrico. En caso de tener dudas sobre si sus tomas están adecuadamente conectados a tierra, verifíquelos con un electricista calificado o personal de servicio. No modifique los enchufes provistos con el artefacto; si los mismos no coinciden con los tomacorrientes, haga que un electricista calificado instale tomas adecuados.

Este equipo está diseñado para ser usado en circuitos con una corriente nominal no superior a 120V.

Manipule la unidad con cuidado

Siempre opere la unidad sobre una superficie nivelada y estable. No la deje, suelte ni coloque en un lugar en el que se podría caer. Un tratamiento descuidado podría dañar la unidad y crear una situación peligrosa o dejar sin efecto la garantía.

Esta unidad ha sido diseñada para un uso domiciliario y comercial.

ANTES DEL PRIMER USO

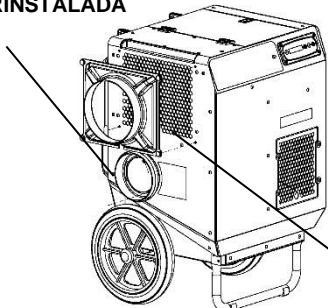
La unidad es enviada con dos juntas de conducto y un kit adaptador dentro del compartimiento. Para la instalación de estos componentes se necesita una llave Allen de 3mm.

Obligatorio: Instalar la junta del conducto de Salida de Aire de Reactivación

Instalar la Junta del Conducto de Reactivación, de 20' por 6", utilizando la abrazadera provista, y entubar hacia el exterior. Ver Fig. B.

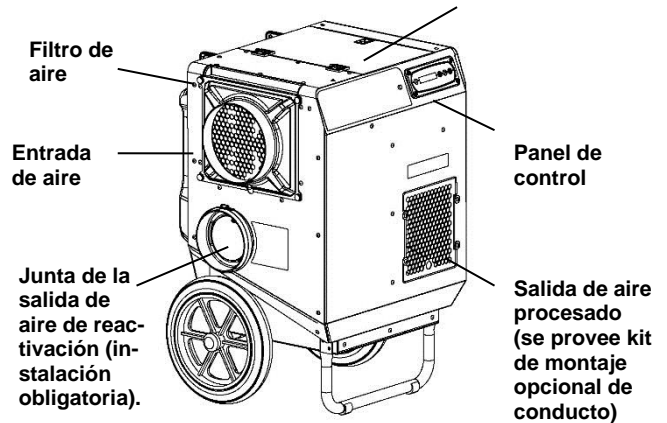
Fig. B: Configuración Inicial

1. Junta de conducto de salida de aire. **DEBE ESTAR INSTALADA**



2. Conducto de entrada de aire de proceso (optional)

Fig. A: Identificación de las partes



Opcional: Instalar la junta del conducto de Entrada de Aire

La Junta del Conducto de Entrada de Aire puede ser instalada utilizando los cuatro tornillos provistos. Ver Fig. B.

Opcional: Colocar los tornillos de desplazamiento de la Salida de Aire Procesado

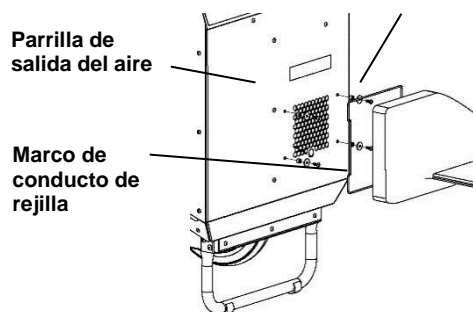
Se puede instalar el Kit Adaptador de Salida de Aire Procesado, utilizando los tornillos de desplazamiento provistos. Ver Fig. B.

CONTROLES E INSTRUCCIONES OPERATIVAS

Ubicar el Deshumidificador

Para lograr mejores resultados, utilice el equipo en un área cerrada. Cierre todas las puertas y ventanas que den al exterior para incrementar la eficiencia en la remoción de la humedad. Ubique el equipo lejos de cualquier obstrucción que pudiera bloquear el flujo de aire desde y hacia la unidad. Entube la salida de reactivación

1. Instalar los 4 tornillos separadores como se muestra.



2. Meter el conducto plano (se vende por separado) a través del marco de rejilla y doblar hacia afuera del marco.

3. Colocar el marco metálico dentro de los tornillos separadores y ubicarlo en su lugar. Cuando no se lo use, se puede dejar el marco en los separadores, o colocarlo en el espacio de guardado.

hacia afuera, a través de un adaptador para ventana o de una ventilación.

Enchufar los cables eléctricos

ATENCIÓN: Los cables del DriTec deben ser enchufados en tomas de 120V separadas, protegidas GFCI, de al menos 15A. Enchúfelos siempre con firmeza en los tomas, primero el del compartimiento superior.

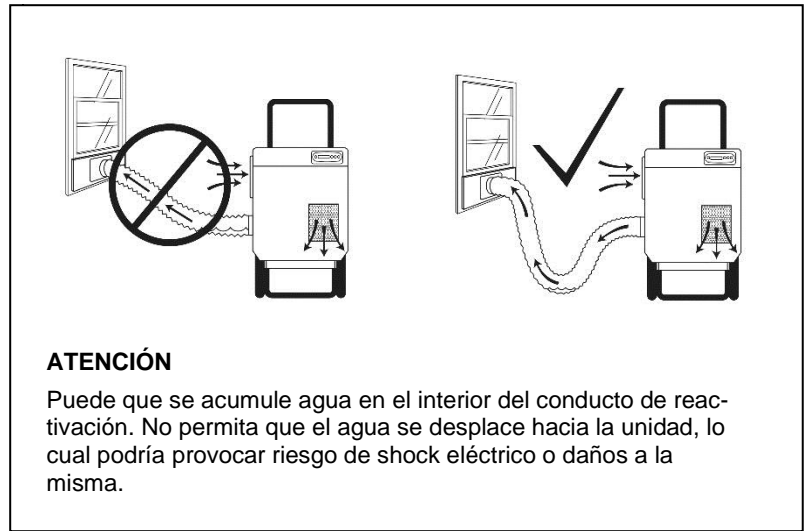
ATENCIÓN: ÚNICAMENTE conecte a dos circuitos de 15A separados. Una luz verde indica que la conexión es correcta. No se enciende cuando se utiliza un solo cable o si ambos cables de alimentación estén conectados en el circuito de fuente de alimentación.

Para obtener el mejor rendimiento, úselo con dos circuitos y asegúrese de que la luz verde esté iluminada. Si no hay un segundo circuito disponible, la unidad puede operarse con un solo cable de alimentación. Enchufe en el circuito 1. Tenga en cuenta que la unidad funcionará al 50% del rendimiento nominal al usar un solo cable de alimentación.

Modos de pantalla de inicio y pantalla normal. Ni bien la unidad es enchufada a la energía AC, la pantalla del panel de control hará un breve ciclo con varias lecturas. Es parte de un autodiagnóstico de la unidad, y no es necesaria la intervención del usuario.

Ajustes de los Conductos

ATENCIÓN: Sólo para uso interior. No exponer la unidad a lluvia o nieve. Si los componentes se mojan, seque completamente la unidad antes de utilizarla.



ATENCIÓN

Puede que se acumule agua en el interior del conducto de reactivación. No permita que el agua se desplace hacia la unidad, lo cual podría provocar riesgo de shock eléctrico o daños a la misma.

Conducto de Salida de Reactivación. El aire de reactivación siempre deberá ser conducido hacia el exterior.

ATENCIÓN: Las temperaturas dentro del conducto de salida de reactivación pueden alcanzar 150°F (66°C). Usar sólo conductos de rango adecuado.

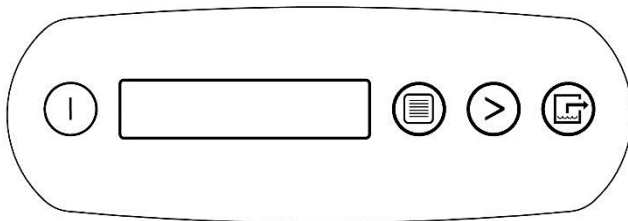
Conducto de Salida de Aire Procesado. El aire procesado puede ser conducido hacia donde sea necesario un secado más concentrado. Utilice sólo conductos chatos.

Máxima Longitud de los Conductos. Para asegurar un máximo desempeño, los conductos no deberán superar las siguientes longitudes:

Aire de Reactivación	20 pies 6 m
Aire Procesado	10 pies 3 m
Entrada de Aire	30 pies 9,1 m

Para más opciones de conductos, ver la Fig. C.

PANEL DE CONTROL



Presione ON/OFF para encender la unidad.

ON/OFF

MENU DE PANTALLA

SELECCIÓN DE MENÚ / TECLA ARRIBA

REMOCIÓN DE AGUA

Cuando se enciende la máquina, por lo general se lee en la pantalla: PLEASE WAIT WARMING UP. Cuando la unidad completa el proceso de calentamiento, la pantalla dirá UNIT ON XXX HRS y alternará entre INLET XXX°F e INLET XX%.

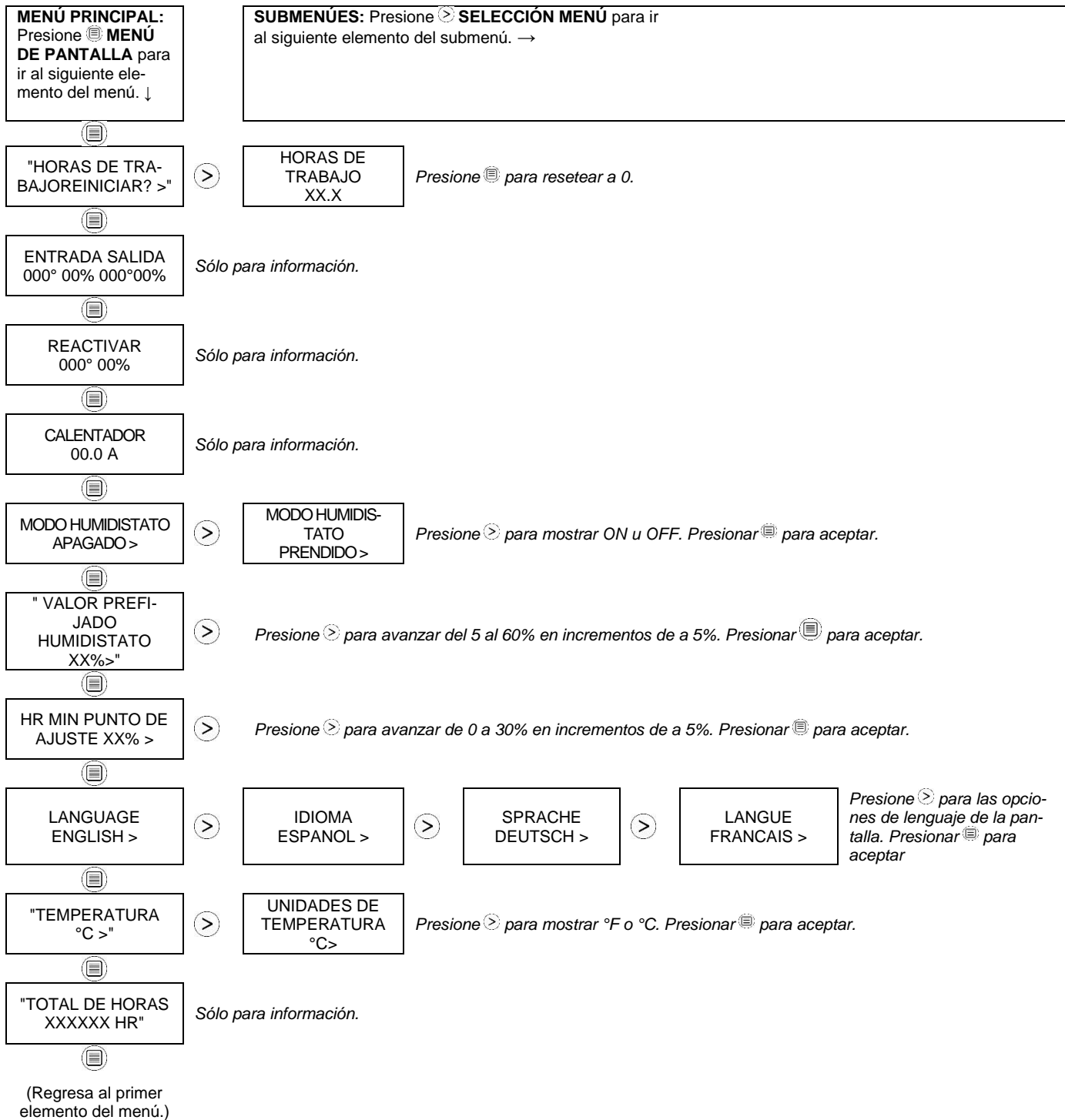
Alterna entre mostrar otras condiciones del deshumidificador, y los Ajustes del Usuario. Para volver al menú principal, presione una vez la tecla ON/OFF.

Cambia los ajustes del sistema. La tecla de SELECCIÓN DE MENÚ actúa como una tecla "Arriba" para variar entre los diferentes puntos de ajustes.

Presione y suelte para que muestre un cálculo de la cantidad de agua quitada en pintas/día. Luego de 5 minutos de funcionamiento, la unidad dirá WATER REMOVAL XXX PINTS/24H. Después de unos segundos, la pantalla volverá automáticamente al mensaje "Unit On".

AJUSTES DEL USUARIO

Sólo pueden ser configurados los elementos del menú que se muestran seguidos del símbolo mayor (>). En los elementos del menú con datos de lectura, (ENTRADA SALIDA, REACTIVACIÓN y CORRIENTE DEL CALENTADOR1), si no se selecciona ninguna tecla durante 5 minutos, la pantalla volverá al modo normal. En todos los demás elementos del menú, la pantalla volverá al modo normal luego de 20 segundos. Los elementos sin el símbolo (>) son sólo de información y no pueden ser cambiados o restablecidos.



Sección sólo disponible en unidades equipadas con sistema inalámbrico

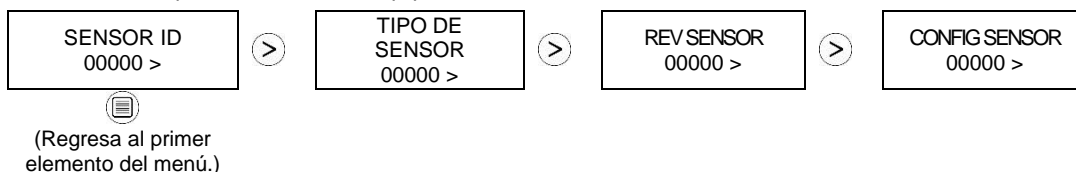


Fig. C: Opciones de Conductos

Opciones de conductos para el DriTec™ 4000i

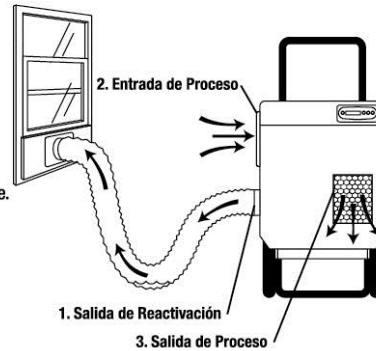
A. Configuración Básica

Preferentemente siempre lleve la Salida de Reactivación hacia un lugar al aire libre.

Consejos:

- Los conductos de reactivación SIEMPRE deben ser instalados en la salida de reactivación. Su extensión no deberá ser mayor a 20 pies (6 m).
- Instalar la tubería con la menor cantidad de curvas posible.
- Haga que el conducto descienda a medida que se aleja de la máquina.

Nota: Puede que se acumule agua en el interior del conducto de reactivación. Al moverlo, tenga cuidado de no derramarla en el interior de la máquina o sobre el suelo.



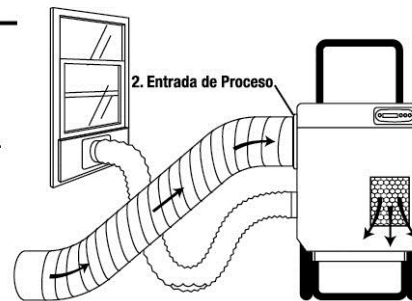
B. Opciones Avanzadas

1. Tubería de entrada (2) para mejorar el rendimiento

Si se dirige aire más frío o más seco hacia la entrada de aire, se podrá mejorar el rendimiento del desecante.

Consejos:

- No introducir por conducto, aire de proceso que provenga de un deshumidificador refrigerante, ya que podría reducir la eficiencia del desecante.

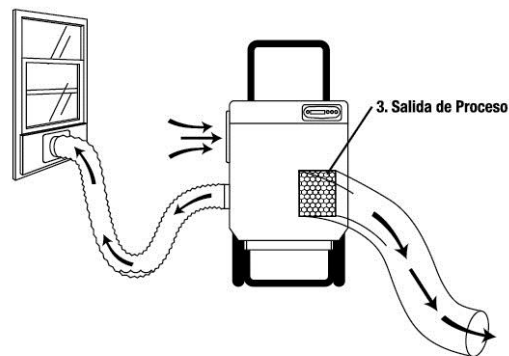


2. Tubería de salida de proceso (3) para distribuir el secado

Conducir por tuberías la salida de aire procesado hacia áreas de difícil acceso o bien para poder ubicar la unidad cerca de una adecuada salida para el aire de reactivación.

Consejos:

- Utilizar conductos planos para conducir el aire procesado hacia las zonas afectadas.
- Para una mayor distribución del aire procesado, realizar cortes regulares de 4 a 6 pulgadas a lo largo del conducto plano y cerrar el final.

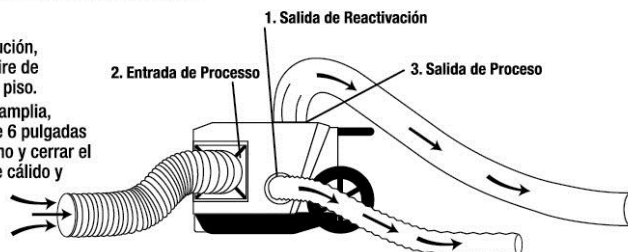


3. Utilizar en espacios reducidos o de baja altura

Hacer funcionar la unidad de espaldas en sectores de techos bajos o espacios reducidos. Entubar la salida de reactivación (1) hacia afuera. Si se lo deseara, la entrada de aire (2) y la salida de aire procesado (3) pueden ser entubadas tal como se lo describe en B1 y B2 más arriba.

Consejos:

- Para una adecuada distribución, colocar los conductos de aire de proceso entre las vigas del piso.
- Para una distribución más amplia, realizar cortes regulares de 6 pulgadas a lo largo del conducto plano y cerrar el final, para así liberar el aire cálido y seco donde se lo requiera.



TRANSPORTE Y ALMACENAMIENTO

ATENCIÓN: Manipule la unidad con cuidado. Un trato brusco podría dañar este equipamiento y generar condiciones riesgosas o la pérdida de la garantía.

- No exponer el panel de control a humedad, lluvia ni nieve.
- Transportar y almacenar de manera segura, para evitar impactos que dañen las partes interiores.
- Sujetar durante el transporte, para evitar deslizamientos y posibles lesiones a los ocupantes del vehículo.

MANTENIMIENTO

¡ADVERTENCIA! RIESGO DE SHOCK ELÉCTRICO. Desenchufar la unidad antes de limpiarla o repararla.

ADVERTENCIA: Riesgo de exposición a polvo y contaminantes. Se recomienda el uso de máscara respiradora y guantes. Si la unidad ha sido expuesta a contaminantes potencialmente riesgosos, se la deberá limpiar y desinfectar por completo, antes de un nuevo uso.

Según sea necesario (elementos exteriores)

Inspeccione el filtro: reemplácelo si observa que hay acumulación de polvo y suciedad.

AVISO: Reemplace los filtros usados con un filtro nuevo Dri-Eaz, número de pieza F579 (paquete de 24). Otros tipos de filtros no proporcionan filtración o flujo de aire adecuados. Cada filtro se envuelve individualmente para conservar la eficiencia de la filtración. Quite la envoltura antes de instalar el filtro en el deshumidificador.

Para conservar el aspecto, limpiar con un trapo húmedo las superficies del exterior y el interior.

Controlar si el conducto de aire de reactivación presenta quebraduras, grietas o cortes. De ser necesario, reemplazar con conductos adecuados, resistentes al calor.

Según sea necesario (elementos interiores) Fig. D.

ATENCIÓN: Riesgo de shock eléctrico. Desenchufar la unidad antes de sacarle los paneles laterales.

ATENCIÓN: La unidad contiene sensores electrónicos sensibles. Protéjalos (y a sus cables) de cualquier daño, y no los exponga a agua ni a una solución de limpieza.

Se requieren las siguientes herramientas e insumos para los procesos de mantenimiento descritos en este manual:

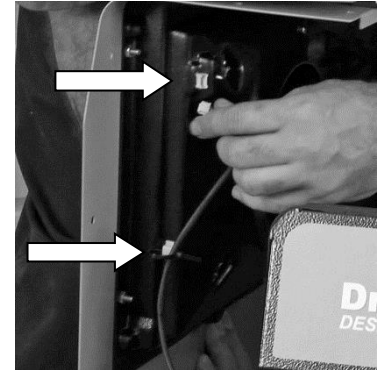
- Llave Allen de 3 mm y taladro eléctrico
- Paño limpio
- Aspiradora con accesorio de cepillo suave y/o boquilla de aire a alta presión
- Destornillador Phillips

Quitar el panel lateral. Saque los tornillos del panel de salida de reactivación / entrada de aire. **IMPORTANTE:**

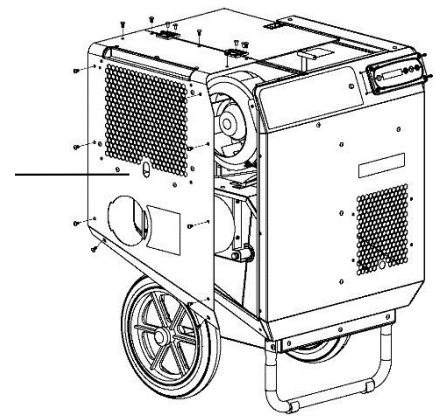
Fig. D: Vistas interiores

¡IMPORTANTE! El cable del sensor de Temp/RH está sujetado al interior del panel. Desenchufe y deslice el cable de su presilla antes de separar el panel.

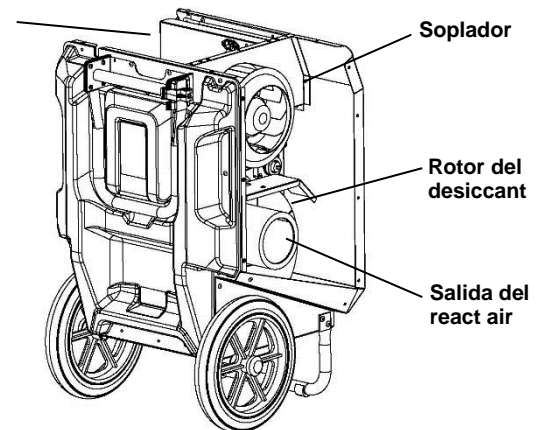
Suelte el cable del sensor antes de separar el panel lateral. Asegúrese de volver a colocar el cable cuando reponga el panel.



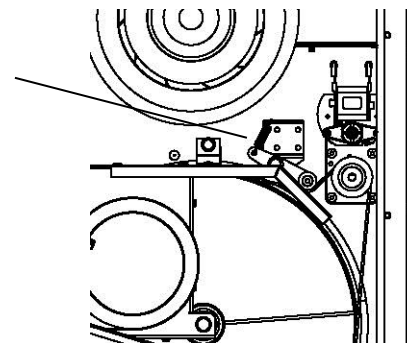
Panel de Salida de React / ingreso de aire. Quite este panel para un control y limpieza de rutina del interior.



Espacio de guardar. Cajas de enchufes ubicadas dentro y air



Tensor de la correa. Brazo Levante-sala para soltar la correa.



El cable del sensor de temp entrada/RH se halla sujeto al interior del panel y debe ser quitado antes de separar el panel. Para quitarlo, primero suelte el enchufe y luego deslice el cable por debajo de la presilla. Cuando el cable se haya liberado totalmente, podrá separar el panel.

Inspeccionar y limpiar el ventilador

Controle que el impulsor gire libremente. Aspirar o repasar con un trapo todas las superficies.

Inspeccionar y limpiar el rotor del disecante

Asegúrese de que el rotor esté libre de polvillo y basura. Utilice una aspiradora o aire a presión para quitar el polvillo del rotor.

Inspeccionar la correa del rotor. Controle si tiene la tensión adecuada. La misma no se debería desviar más de ¼ pulg. (0,6 cm) bajo una moderada presión de unas 2 libras de fuerza (como empujar con un dedo). Si la correa se desvía en exceso o si tiene grietas o desgaste excesivo, póngase en contacto con su distribuidor local para recibir instrucciones.

Aspirar el interior para quitar polvillo y basuras. Limpiar superficies interiores con un trapo limpio y seco. No aplicar agua ni ningún tipo de solución de limpieza. Tenga cuidado de no dañar sensores electrónicos ni cables.

Volver a colocar el panel lateral. Vuelva a poner el cable del sensor en el interior del panel. Pase el cable por la presilla y luego enchúfelo. Ahora ponga los tornillos y ajústelos a mano, comenzando por el de arriba y luego bajando. Cuando todos están correctamente ubicados, utilice una herramienta manual para ajustarlos adecuadamente. No se exceda. No utilice herramientas eléctricas para ajustar los tornillos.

BOTÓN DE PURGADO DE BOMBA

El Panel de Control mostrará los siguientes mensajes cuando se presiona el Botón de Purgado de Bomba.

MENSAJE DEL PANEL DE CONTROL	EXPLICACIÓN
POR FAVOR ESPERE CALCULANDO	La unidad se halla calculando el retiro de agua.
REMOVER AGUA XXX L/24H	Indica el cálculo de remoción de agua en unidades expresadas por día.

MENSAJES DEL SISTEMA


El Panel de Control exhibirá los siguientes mensajes en función del desempeño del sistema y las condiciones ambientales. La acción del usuario, en caso de ser necesaria, se indica en la tercera columna.

MENSAJE DEL PANEL DE CONTROL	EXPLICACIÓN	ACCIÓN DEL USUARIO
INICIALIZAR	La unidad se está encendiendo.	Ninguna
VERSION FIRMWARE XXX	Indica el número de versión del firmware del panel de control.	Ninguna
F533-XX	Número de modelo.	Ninguna
APAGADO	La unidad ha terminado de encenderse y está funcionando.	Ninguna
POR FAVOR ESPERE A QUE SE CALIENTE	El ventilador no funcionará hasta que la unidad alcance la temperatura de funcionamiento adecuada , aproximadamente 10 segundos .	Ninguna
PRENDIDO XXXX H ENTRADA XXX°C	Primera línea: indica el total de horas de funcionamiento. Segunda línea: alterna cada dos segundos entre la temperatura de entrada y el RH de entrada.	Ninguna
HUMIDISTATO ENTRADA XXX°C/XX%	Primera línea: indica que la unidad se halla en el modo de humidistato Segunda línea: Alterna cada dos segundos entre la temperatura de entrada y el RH.	Ninguna
POR FAVOR ESPERE A QUE SE ENFRIE	Fan operará hasta que la unidad se enfríe, aproximadamente 30 segundos .	Ninguna
XXXXX FALLA ELECTRICA>	Indica que se ha interrumpido la energía durante el funcionamiento.	Presione la tecla > para restablecer

LIMPIAR FILTRO > XXXXX	Indicación para limpiar o cambiar el filtro.	Cambie o limpie el filtro. Presione la tecla > para restablecer
LIMPIAR ROTOR > XXXXX	Indicación para limpiar el rotor.	Limpie el rotor. Presione la tecla > para restablecer

MENSAJES DEL SISTEMA

Si el sistema de control detectara un error, generará un mensaje de error (“ER”). En tal caso, primero desenchufe la unidad y vuélvala a enchufar. Por lo general, esto restablecerá el mecanismo electrónico, y la unidad comenzará a funcionar normalmente. Si vuelve a aparecer el mensaje de error, remítase a las explicaciones y soluciones que se muestran a continuación. Si éstas no resuelven el problema, póngase en contacto con su centro de servicio local autorizado.

NOTA: El mensaje “POWER FAILURE” no es un error de sistema. Cuando se muestra, indica que la energía que ingresa a la unidad ha sido interrumpida y luego repuesta. Para borrarlo, presione la tecla  SELECCIÓN MENÚ.

MENSAJE DEL PANEL DE CONTROL	EXPLICACIÓN Y SOLUCIÓN
ER1 CONTACTAR AL CENTRO DE SERVICIOS	Indica que hay un problema interno serio. Puede que el panel de control electrónico necesite ser reemplazado. Póngase en contacto con el servicio. Punto de ajuste de la temperatura de ingreso de aire para hacer un ciclo del acondicionador de aire a temperatura de control. Verifique si la corriente AC posee bajo voltaje.
ER2 CONTACTAR AL CENTRO DE SERVICIOS	Error del Panel de Control. Puede que el panel de control electrónico necesite ser reemplazado. Si el error continúa, póngase en contacto con el servicio.
ER3 CONTROLAR EL MOTOR DEL ROTOR	Si la diferencia entre la temperatura de reactivación y la temperatura de entrada es muy alta, esto indica que se detuvo el rotor por una cuestión de la correa o del motor de impulso. Controle la tensión de la correa y si presenta algún fallo, y además los tacos del rotor y el funcionamiento del motor.
ER4 CONTROLAR FLUJO DE AIRE	Un amperaje bajo en el calentador indica que hay un problema con el ventilador y/o una restricción de la entrada de aire. Verifique si hay alguna obstrucción del ingreso y/o controle el funcionamiento del ventilador.
ER5 CONEXIÓN DEL SENSOR DE REACTIVACIÓN o ER5 CONECTAR SENSOR DE PROCESO	El sensor de temperatura se halla abierto, falta o está en cortocircuito. Controle que los sensores de temperatura se hallen correctamente instalados en el panel de control. Si el error continúa, póngase en contacto con el servicio.
ER6 CONEXIÓN DEL SENSOR EN BD	El sensor de temperatura de ingreso/RH se halla abierto, falta o está en cortocircuito. Controle que el sensor de temperatura de ingreso/RH se halle correctamente instalado en el panel de control y la entrada cubierta. Si el error continúa, póngase en contacto con el servicio.
ER7 CONTACTAR AL CENTRO DE SERVICIOS	Falla en el sensor de corriente. Si el error continúa, póngase en contacto con el servicio.
ER8 AJUSTE DE MODELO NO VÁLIDO	Ajustes de interruptor DIP incorrectos o no soportados. Contactar al departamento de servicio de Dri-Eaz para obtener los correctos ajustes del interruptor DIP.
ER9 BOTÓN TRABADO TODOS LOS BOTONES	Se ha trabado una tecla o ha estado presionada mucho tiempo. Contactar al departamento de servicio de Dri-Eaz para obtener una reparación o una garantía.
ER10 CONEXIÓN INALÁMBRICA EN BD	Falla en la tarjeta inalámbrica, sea porque falta, está en cortocircuito o se salió del panel de control. Reinstale la tarjeta inalámbrica para solucionar el error. Contactar al departamento de servicio de Dri-Eaz para obtener una reparación o una garantía.

RESOLUCIÓN DE PROBLEMAS

FALLA	CAUSA	SOLUCIÓN
No se enciende la luz indicadora de circuitos separados	La unidad no está enchufada en dos circuitos separados. Cableado incorrecto en el inmueble.	Enchufar la unidad en dos circuitos separados, con un amperaje de al menos 15 en cada uno. Ubique en el inmueble un segundo circuito de 15 amp.
El interruptor de circuito se activa luego de unos minutos de uso.	No está colocado el conducto de reactivación. El conducto está obstruido o mal colocado. Conducto demasiado extenso.	La salida de Reactivación siempre debe estar entubada. Estire los conductos lo más que pueda; quite cualquier interrupción. La longitud no debe exceder los 20 pies.
La unidad no funciona	La unidad no está encendida. No llega energía a la máquina.	Encienda la unidad. Controle las conexiones del cable en el toma de la pared y en el compartimiento superior de la unidad. Verifique los interruptores en el circuito de suministro.
La unidad funciona, pero el ambiente no se seca	No hubo suficiente tiempo de secado. Poco movimiento de aire en el ambiente. Humedad excesiva en el ambiente.	Destine más tiempo para el secado. Incremente la evaporación con ventiladores para mover el aire. Selle toda la superficie para reducir la infiltración.
La unidad quita muy poca agua	El aire del ambiente es seco. Temperatura de entrada de aire muy cálida. Entrada de aire muy húmeda. El filtro está obstruido.	Confirme el nivel de humedad con un higrómetro. Reduzca la temperatura de la entrada de aire. Reduzca la humedad de la entrada de aire. Controle el filtro. Límpielo o reemplácelo, según necesidad.
<p><i>Si el problema que enfrenta no se encuentra aquí previsto, llame a su distribuidor local o póngase en contacto con nuestro Departamento de Servicio, llamando sin cargo al 800-932-3030 para una mayor asistencia.</i></p>		

ESPECIFICACIONES

Energía	115V / 60 Hz
Amperes (max.)	24
Amperes (a 80°F/60%RH)	Circuito 1: 10.7 Circuito 2: 10.8
Aire Procesado	395 CFM
Aire de Reactivación	65 CFM
Remoción de agua (a 80°F/60%RH)	118 pintas/día 55,8 L por día
Peso	95 lbs. 43,1 kg
Dimensiones (Ancho x Alto x Profundidad)	21,14 x 33,13 x 20,25 plg. (con manija levantada = 42,250 plg.) 53,7 x 84,15 x 51,4 cm (con manija levantada = 107,3 cm.)
Filtro de aire	F590 (24 pk)
Seguridad	ETL listada para las normas CSA para deshumidificadores



ADVERTENCIA: Este producto puede exponerlo a sustancias químicas entre las que se incluyen plomo y ftalatos, los cuales son considerados en el estado de California como causantes de cáncer, defectos congénitos u otros daños durante la gestación. Para obtener más información, visite P65Warnings.ca.gov

PIEZAS INCLUIDAS

- Junta adaptadora para conducto de salida de Reactivación
- Conducto resistente al calor para Salida de Reactivación, 20 pies, 6 plg.
- Abrazadera para conducto de 6"
- Junta adaptadora para entrada de aire (opcional, con instalación requerida)
- Montaje adaptador para conducto plano para la salida de aire procesado (opcional, instalación requerida)
- Dos cables de energía, de 25 pies cada uno

OPCIONAL

Conducto plano para salida de aire procesado (F536)

INFORMACIÓN ADICIONAL DEL PRODUCTO y la presente documentación, disponibles en www.LegendBrandsRestoration.com.

POR PIEZAS Y SERVICIO, LLAME A SU DISTRIBUIDOR LOCAL o a Dri-Eaz, al 800-932-3030. www.LegendBrandsRestoration.com

Visite warranty.LegendBrandsRestoration.com y registre su compra para asegurarse de que recibe cualquier novedad importante sobre el producto.

Déshumidificateur déshydratant DriTec™ 4000i

Modèle F533

LEGEND BRANDS, INC.

15180 Josh Wilson Road ■ Burlington, WA 98233 É.-U.

Téléphone : 800-932-3030 Télécopie : 360-757-7950 www.LegendBrandsRestoration.com

Le déshumidificateur déshydratant DriTec 4000i de Legend Brands réduit l'humidité dans les structures fermées en éliminant la vapeur d'eau de l'air. Le 4000i est idéal pour la réfection (dégâts causés par l'eau), le séchage des structures, et pour les chantiers de construction. Il convient particulièrement pour éliminer l'humidité des matériaux et contenus structuraux dans des environnements à basse température, où le taux d'humidité est faible à moyen et les déshumidificateurs à frigorigène sont moins efficaces.

Brevets : <http://www.LBpatents.com>

LIRE ET CONSERVER CES INSTRUCTIONS



AVERTISSEMENT

INSTRUCTIONS DE SÉCURITÉ IMPORTANTES

AVERTISSEMENT! Ne pas modifier le unit. Utiliser seulement des pièces de rechange autorisées par Legend Brands, Inc. Toute modification ou l'utilisation de pièces non approuvées peut constituer un danger et annulera votre garantie. Contactez votre distributeur autorisé Dri-Eaz pour obtenir de l'aide.

AVERTISSEMENT! Danger de décharge électrique, ventilateur tournant et surfaces très chaudes. Débrancher l'appareil avant d'ouvrir le couvercle pour le nettoyage ou l'entretien. L'appareil doit être mis à la terre.

- Vérifier l'état du cordon d'alimentation avant utilisation. Ne pas l'utiliser si le cordon est endommagé. Pour débrancher, toujours saisir la prise (et non le cordon).
- Enfoncer les trois fiches de la prise du cordon dans une prise de courant mise à la terre. Ne pas utiliser d'adaptateur. Ne jamais sectionner la troisième fiche. Ne pas utiliser de rallonge.
- L'appareil doit fonctionner sur un circuit de 115V/60 Hz protégé par un disjoncteur de fuite à la terre.
- Ne pas mettre l'appareil en marche lorsque de l'eau stagne en surface. Le moteur et le câblage doivent rester secs.

Garantie

Conservez votre facture ou preuve d'achat dans l'éventualité d'une réparation de votre appareil pendant la période de garantie. Si une réparation est nécessaire, assurez-vous d'avoir en main le modèle de votre équipement, le numéro de série et la preuve d'achat originale, puis appelez votre distributeur local Dri-Eaz pour obtenir une autorisation de retour de matériel(ARM).

PRÉLIMINAIRES

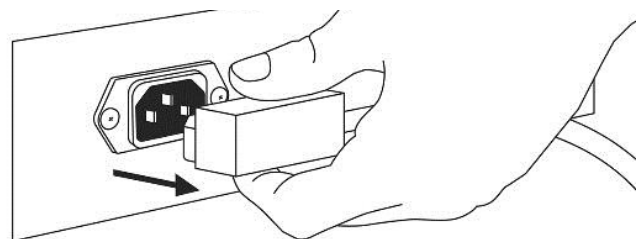
Enregistrement pour la garantie

Visitez warranty.LegendBrandsRestoration.com pour enregistrer votre achat. L'enregistrement nous permettra

COMMENT BIEN ENLEVER LE CORDON ÉLECTRIQUE

Saisir la prise IEC et tirer en la tenant droite

IMPORTANT : Les dommages occasionnés au récipient ou au déshumidificateur IEC en raison d'un retrait incorrect du cordon électrique ne sont pas couverts par la garantie. Le cordon électrique IEC étant une pièce d'usure, il n'est pas couvert par la garantie.



de mieux vous aider en ce qui concerne l'utilisation, l'entretien ou la réparation de votre équipement, et nous pourrions ainsi vous communiquer des renseignements éventuels importants en matière de sécurité sur votre produit Dri-Eaz. Si une réparation est nécessaire, assurez-vous d'avoir en main le modèle de votre équipement, le numéro de série et la preuve d'achat originale, puis appelez votre distributeur pour obtenir un numéro d'autorisation de retour (RMA).

DIRECTIVES DE MISE À LA TERRE

Les fiches de cet appareil doivent être branchées uniquement sur une prise adéquatement installée et mise à la terre conformément aux codes et aux règlements de votre localité.

AVERTISSEMENT! Une connexion inadéquate du fil de mise à la terre peut entraîner un risque de choc électrique. Consultez un électricien ou un dépanneur qualifié si vous n'avez pas la certitude que la prise possède un contact de mise à la terre approprié. Veillez à ne pas modifier les fiches fournies avec cet appareil. Si vous ne pouvez pas les insérer dans une prise, faites installer une prise appropriée par un électricien qualifié.

Cet équipement est destiné à des circuits dont la tension nominale est au maximum 120 V.

Manipuler l'appareil avec soin

Toujours utiliser l'appareil sur une surface stable et horizontale. Ne pas lancer ni faire tomber l'appareil, ni le placer à un endroit où il pourrait basculer. Un traitement brutal de l'appareil risque de l'endommager et de créer une condition dangereuse, ou encore d'annuler la garantie.

Cet appareil est destiné à un usage domestique, ainsi qu'à un usage commercial.

AVANT L'UTILISATION INITIALE

Cet appareil est livré avec deux colliers de gaine et un adaptateur emballés dans le compartiment de rangement. Une clé Allen 3 mm est nécessaire pour mettre en place ces composants.

Obligatoire : Poser le collier de gaine sur la sortie de l'air de réactivation

Poser le collier de la gaine de réactivation (20 pi par 6 po de diam.) avec la bride fournie, puis acheminer la gaine vers l'extérieur. Voir Fig. B.

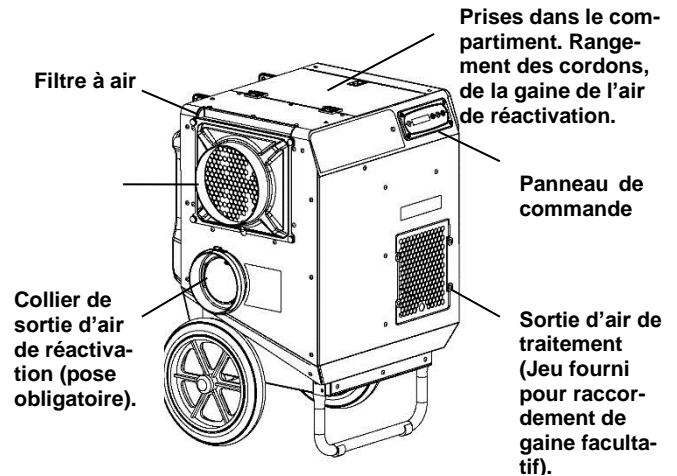
Facultatif : Poser le collier de la prise d'air

Visser au besoin le collier de la gaine de prise d'air (quatre vis fournies). Voir Fig. B.

Facultatif : Poser les vis sortantes de la sortie de l'air de traitement

Poser au besoin l'adaptateur à la sortie de l'air de traitement avec les vis sortantes fournies. Voir Fig. B.

Fig. A: Identification des pièces



Entrée d'air

COMMANDES ET MODE D'EMPLOI

Mise en place du déshumidificateur

Pour obtenir les meilleurs résultats, utiliser le déshumidificateur dans une pièce close. Fermer les portes et les fenêtres qui s'ouvrent vers l'extérieur, afin d'optimiser l'élimination de l'eau. Placer le déshumidificateur loin des obstacles qui pourraient bloquer l'écoulement de

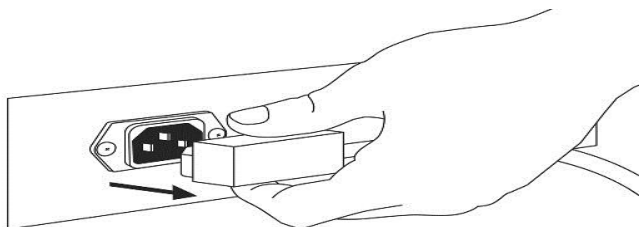
l'air vers l'appareil et hors de celui-ci. Acheminer la sortie de l'air de réactivation vers l'extérieur, par un adaptateur de fenêtre ou un évent de sècheuse.

Branchement des cordons

AVIS : Les cordons électriques du DriTec doivent être branchés sur des prises distinctes, protégées par un disjoncteur de fuite de terre, de 120 V et d'une intensité no-

minale d'au moins 15 A. Toujours insérer d'abord fermement les fiches de cordons dans les prise du compartiment supérieur.

PANNEAU DE COMMANDE



Appuyer sur  Marche-Arrêt pour allumer l'appareil.

 **MARCHE-ARRET**

Lorsqu'on allume l'appareil, l'écran affiche normalement PATIENTER, RÉCHAUFFAGE. Au terme du réchauffage, l'écran affiche XXX HRS EN MARCHÉ et alterne entre ENTRÉE XX °C (ou °F) et ENTRÉE XX %.

 **MENU D'AFFICHAGE**

Défilement d'autres conditions du déshumidificateur et des paramètres utilisateur. Appuyer une fois sur la touche Marche-Arrêt pour revenir au menu principal.

 **SÉLECTION DE MENU / TOUCHE +**

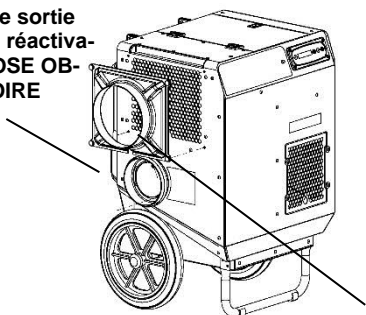
Pour modifier les paramètres du système. La touche de SÉLECTION DE MENU sert également de touche « + » pour faire défiler les points de consigne.

 **EXTRACTION D'EAU**

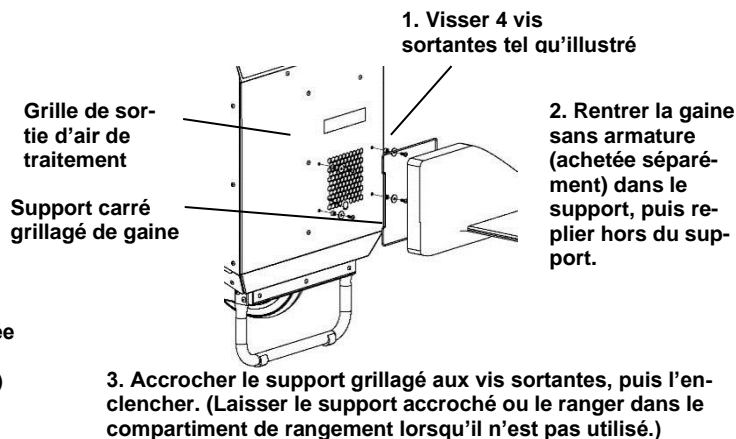
Appuyer et relâcher pour afficher une quantité calculée d'extraction d'eau en chopines par jour. L'appareil affichera EXTRACTION D'EAU XXX CHOPINES/24H après 5 minutes de temps de marche. L'écran revient automatiquement à l'affichage « En marche » après quelques secondes.

Fig. B: Raccordement initial

1. Collier de la gaine de sortie d'air de réactivation. POSE OBLIGATOIRE



2. Gaine d'entrée d'air de traitement (facultatif)



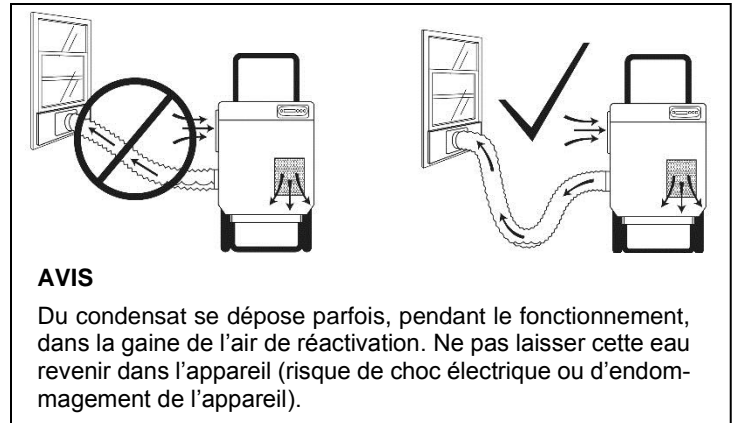
AVIS : Brancher **UNIQUEMENT** sur deux circuits distincts de 15 A. Un voyant vert signale que les branchements sont corrects. Le voyant reste éteint lorsque l'on utilise un seul cordon ou si les deux cordons d'alimentation sont branchés dans le circuit de source d'alimentation même.

Pour des performances optimales, utilisez deux circuits et assurez-vous que le voyant vert est allumé. Si un deuxième circuit n'est pas disponible, l'appareil peut être utilisé avec un seul cordon d'alimentation. Branchez le circuit 1. Notez que l'appareil fonctionnera à 50% des performances nominales si vous utilisez un seul cordon d'alimentation.

Affichage au démarrage et modes d'affichage normal. Lors du premier branchement de l'appareil sur une prise secteur, l'écran du panneau de commande passe brièvement par une série d'affichages. Ceci fait partie de la procédure d'autodiagnostic de l'appareil; l'utilisateur n'a pas besoin d'intervenir.

Raccordement des gaines

AVIS : Pour utilisation à l'intérieur seulement. Ne pas exposer l'appareil à la pluie ou à la neige. Si les composants électriques deviennent mouillés, laisser l'appareil sécher intégralement avant de le mettre en marche.



Raccordement de la gaine de sortie de l'air de réactivation Toujours acheminer l'air de réactivation vers l'extérieur.

AVIS : La température dans la gaine de sortie de l'air de réactivation peut atteindre 66 °C. Utiliser uniquement des gaines dont la capacité thermique nominale est appropriée.

Raccordement de la gaine de sortie de l'air de traitement Raccorder une gaine de sortie d'air de traitement lorsqu'un séchage plus concentré est requis. Utiliser uniquement avec une gaine sans armature.

Longueur maximale des gaines


Pour un rendement maximum, ne pas dépasser les longueurs de gaines suivantes :

Air de réactivation	20 pi 6 m
Air de traitement	10 pi 3 m
Arrivée d'air	30 pi 9,1 m

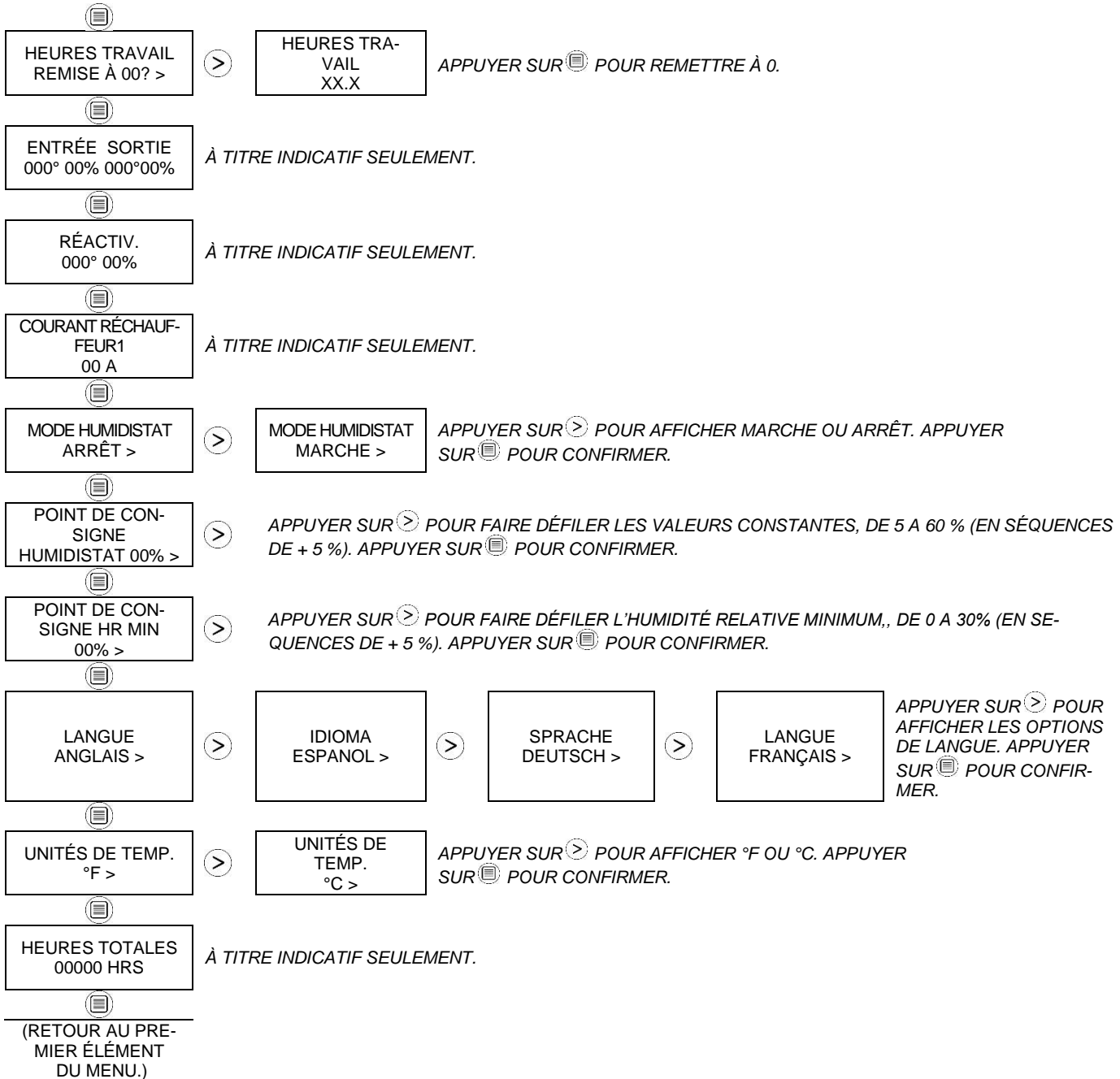
Pour d'autres options de raccordement, voir Fig. C.

PARAMÈTRES UTILISATEUR

Seuls les éléments de menu suivis du symbole supérieur (>) peuvent être ajustés. Dans les éléments de menu avec lecture de données (ENTRÉE, SORTIE, RÉACTIVATION & COURANT RÉCHAUFFEUR 1), si aucune touche n'est sélectionnée pendant 5 minutes, l'affichage retournera au mode d'affichage normal. Dans tous les autres éléments de menu, l'affichage retournera au mode d'affichage normal après 20 secondes. Les éléments sans symbole (>) sont placés uniquement à titre informatif, par conséquent, ils ne peuvent pas être changés ou réinitialisés.

MENU PRINCIPAL :
APPUYER SUR 
 MENU D'AFFI-
 CHAGE **POUR PAS-**
SER A L'ELEMENT
DE MENU SUI-
VANT. ↓

SOUS-MENUS : **APPUYER SUR**  MENU D'AFFICHAGE
POUR PASSER A L'ÉLÉMENT DE SOUS-MENU SUIVANT. →



CETTE SECTION EST DISPONIBLE UNIQUEMENT SUR LES APPAREILS SANS FIL.

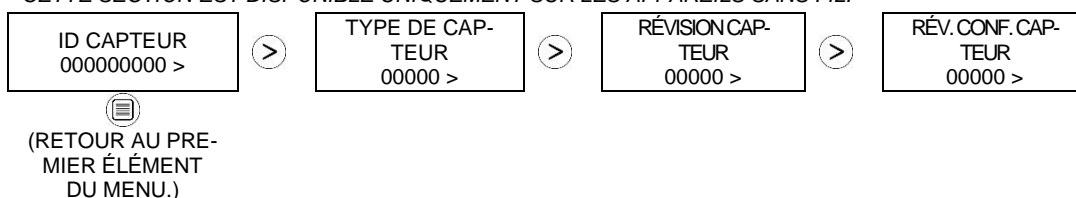


Fig. C:

Options de raccordement DriTec™ 4000i

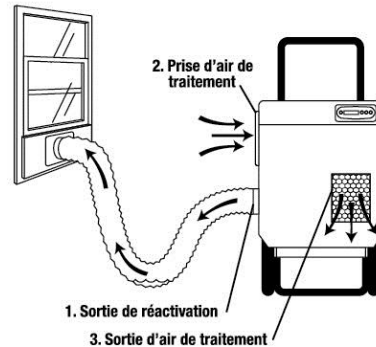
A. Raccordement de base

Toujours raccorder la sortie de l'air de réactivation à une gaine, aboutissant de préférence à l'extérieur.

Astuces:

- La sortie de l'air de réactivation doit TOUJOURS être raccordée à une gaine d'air de réactivation, dont la longueur ne doit pas dépasser 20 pi (6 m).
- Acheminer la gaine aussi droite que possible.
- Faire descendre la gaine à la sortie de l'appareil.

Remarque : De l'eau s'accumule parfois dans la gaine de réactivation. Veiller à ne pas déverser l'eau dans l'appareil ou sur le plancher lorsqu'on déplace la gaine.



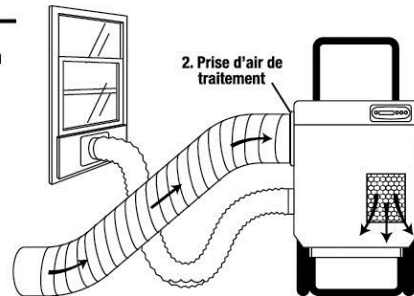
B. Options avancées

1. Raccorder l'entrée de l'air de traitement (2) à une gaine pour améliorer le rendement

Une arrivée d'air plus froid ou plus sec dans la prise d'air peut augmenter l'efficacité du déshydratant.

Astuces:

- Ne pas raccorder la prise d'air de traitement à un déshumidificateur à frigorigène, ce qui risquerait de diminuer l'efficacité du déshydratant.

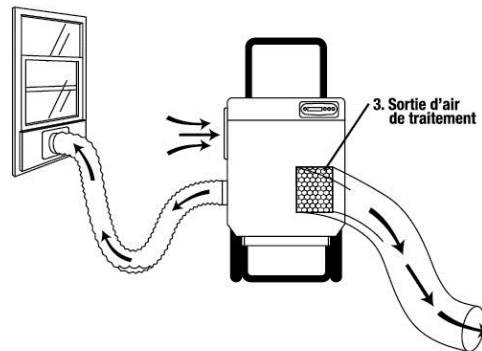


2. Raccorder la sortie de l'air de traitement (3) à une gaine pour cibler le séchage

Acheminer une gaine de la sortie d'air de traitement vers des zones difficiles d'accès, ou pour garder l'appareil proche d'une sortie adéquate de l'air de réactivation.

Astuces:

- Utiliser une gaine sans armature pour diriger l'air de traitement dans les zones touchées.
- Pour une distribution plus étendue de l'air de traitement, faire des découpes de 4-6 po à intervalles et nouer l'extrémité.

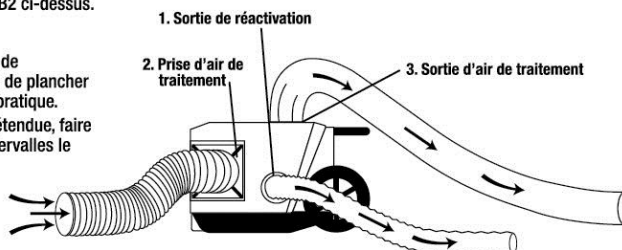


3. Utiliser dans les vides sanitaires et dans les zones à hauteur limitée

Coucher l'appareil sur sa face arrière dans les zones à plafond bas/hauteur limitée. Acheminer à l'extérieur la gaine de la sortie d'air de réactivation (1). Raccorder au choix la prise d'air (2) et la sortie de l'air de traitement (3) de la manière expliquée dans B1 et B2 ci-dessus.

Astuces:

- Acheminer la gaine de l'air de traitement entre les solives de plancher pour une distribution d'air pratique.
- Pour une distribution plus étendue, faire des découpes de 6 po à intervalles le long de la gaine sans armature, puis nouer l'extrémité pour que l'air chaud et sec s'échappe aux endroits souhaités.



44-220 A

TRANSPORT ET RANGEMENT

AVIS : Manipuler l'appareil avec soin. Un traitement brutal de l'appareil risque de l'endommager et de créer une condition dangereuse, ou encore d'annuler la garantie.

- Ne pas exposer le panneau de commande à l'humidité, à la neige ou à la pluie.
- Protéger l'appareil lors du rangement ou du transport; éviter les chocs risquant d'endommager les pièces internes.
- Arrimer l'appareil lors de son transport pour l'empêcher de glisser et prévenir les blessures aux occupants du véhicule.

ENTRETIEN

AVERTISSEMENT! RISQUE DE CHOC ÉLECTRIQUE. Débrancher l'appareil avant le nettoyage ou l'entretien.

AVERTISSEMENT : Risque d'exposition à la poussière et aux polluants. Il est conseillé de porter un masque respiratoire et des gants. Si l'appareil a été exposé à des contaminants potentiellement dangereux, nettoyer à fond et désinfecter avant de les porter à nouveau.

Si besoin est (éléments extérieurs)

Inspecter le filtre. Remplacez le câble si une accumulation de poussière et de débris est visible.

NOTICE : Remplacez les filtres usés seulement avec un nouveau filtre Dri-Eaz n° F590 (boîte de 24). Les autres types de filtre n'offrent pas une filtration ou un flux d'air adéquat. Chaque filtre est emballé individuellement pour préserver l'efficacité de la filtration. Retirez l'emballage avant d'installer le filtre dans le déshumidificateur.

Pour maintenir leur éclat, passer un chiffon humide sur les surfaces intérieures et extérieures.

Vérifier l'état de la gaine de sortie de l'air de réactivation : fissures, fentes, ruptures. Remplacer au besoin par une gaine appropriée résistante à la chaleur.

Si besoin est (éléments intérieurs) Voir Fig. D.

AVIS : Risque de choc électrique. Débrancher l'appareil avant de retirer les panneaux latéraux.

AVIS : L'appareil abrite des capteurs électroniques de précision. Protéger contre tout dommage ces capteurs et leurs fils; ne pas les exposer à l'eau ni à une solution de nettoyage.

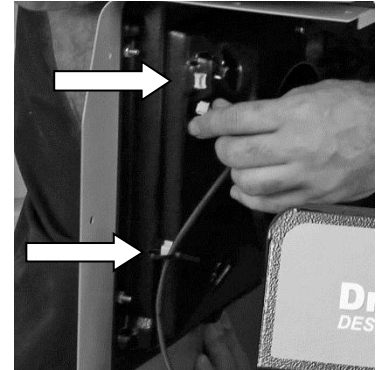
Les outils et les articles suivants sont obligatoires pour faire l'entretien expliqué dans ce guide :

- Clé Allen 3 mm ou foret et perceuse sans fil
- Chiffons propres
- Aspirateur avec suceur à brosse douce, ou buse d'air comprimé haute pression
- Tournevis Phillips

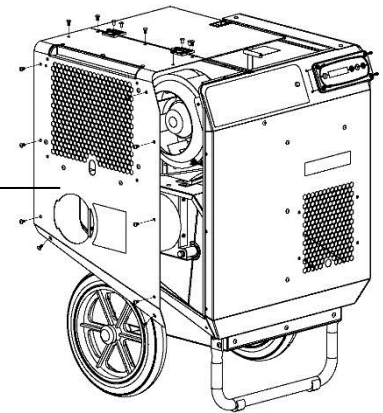
Fig. D : Vues intérieures

IMPORTANT! Le câble du capteur Temp./HR est attaché à l'intérieur du panneau! Déclipser, puis glisser le câble hors de l'attache avant de mettre le panneau de côté.

Détacher le câble du capteur avant de mettre le panneau de côté. Veiller à remettre le câble lorsqu'on replace le panneau.



Panneau sortie air réactif/entrée air traitement. Déposer ce panneau uniquement pour l'examen et le nettoyage périodiques.

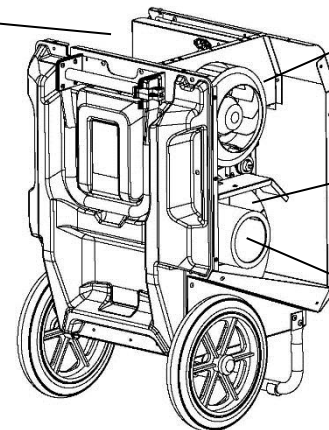


Compartiment de rangement. Cordons à l'intérieur.

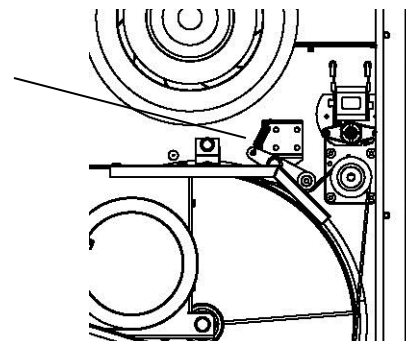
Ventilateur

Roue déshydratante

Sortie air de réactiv.



Tendeur de ceinture. Bras de levage jusqu'à - service pour libérer la ceinture.



Enlever le panneau latéral. Dévisser le panneau arrivée d'air de traitement/sortie d'air de réactivation. **IMPORTANT : Le câble du capteur température/HR est fixé à l'intérieur du panneau; il doit être détaché avant de mettre le panneau de côté.** Pour retirer le câble, déclipser d'abord la prise, puis glisser le câble vers le bas, hors de son attache. Une fois le câble dégagé, mettre le panneau de côté.

Examiner et nettoyer le ventilateur.

Regarder si les pales tournent librement. Nettoyer à l'aspirateur ou avec un chiffon toutes les surfaces.

Examiner et nettoyer la roue déshydratante

S'assurer que la roue est libre de poussière et de débris. Nettoyer la roue à l'aspirateur ou à l'air comprimé.

Examiner la courroie de la roue.

Vérifiez fissures ou une usure excessive . Contactez votre distributeur local pour obtenir des instructions de remplacement .

Passer l'aspirateur à l'intérieur pour enlever la poussière et les débris. Passer un chiffon sec et propre sur les parois; ne pas utiliser de l'eau ou de solutions de nettoyage. Attention de ne pas endommager les capteurs électroniques et les fils.

Revisser le panneau latéral. Rattacher d'abord le câble du capteur à l'intérieur du panneau; glisser le câble vers le haut dans l'attache mono-usage, puis le brancher. Serrer ensuite les vis à la main seulement, depuis les vis supérieures jusqu'aux vis inférieures. Après la bonne mise en place des vis à la main, les serrer à bloc avec un outil manuel. Ne pas serrer outre mesure. Ne pas utiliser un outil électrique pour serrer les vis.

BOUTON DE PURGE DE LA POMPE

Le Panneau de commande affichera les messages suivants lorsque le Bouton de purge de la pompe sera appuyé.

MESSAGE DU PANNEAU DE COMMANDE	EXPLICATION
SVP ATTENDRE CALCUL	L'unité calcule l'extraction d'eau.
ÉLIM. D'EAU XXX L/24H	Indique l'extraction d'eau calculée en litres par jour.


MESSAGES DU SYSTÈME

Le Panneau de commande affichera les messages suivants en fonction de la performance du système et des conditions environnementales. L'action de l'utilisateur, si requise, est indiquée dans la troisième colonne.

MESSAGE DU PANNEAU DE COMMANDE	EXPLICATION	ACTION DE L'UTILISATEUR
INITIALISER	L'unité est en cours d'alimentation.	Aucune
MICROLOGICIEL VERSION XXX	Indique le numéro de la version de micrologiciel du panneau de commande	Aucune
F533-XX	Numéro de modèle.	Aucune
ÉTEINT	L'unité a terminé l'alimentation et est en marche.	Aucune
SVP ATTENDRE, SE RECHAUFFE	Le ventilateur ne fonctionne jusqu'à ce que l'unité atteigne la température de fonctionnement correct , environ 10 secondes .	Aucune
XXXX HRS TRAVAIL ENTRÉE XXX°C"	Première ligne : indique le nombre total d'heures de fonctionnement. Deuxième ligne: Alterne entre la température d'entrée et l'HR d'entrée chaque 2 secondes.	Aucune
XXXX HRS TRAVAIL ENTRÉE XX%"	Première ligne : indique que l'unité est en mode humidistat Deuxième ligne: Alterne entre la température d'entrée et l'HR d'entrée chaque 2 secondes.	Aucune
SVP ATTENDRE, SE REFROIDIR	Ventilateur fonctionne jusqu'à ce que l'unité refroidisse. Environ 30 secondes .	Aucune
XXXXX PANNE COURANT >	Indique que l'alimentation a été interrompue pendant le fonctionnement.	Appuyez sur la touche > pour réinitialiser
NETTOYER FILTRE > XXXXX"	Demande de nettoyage ou de changement du filtre.	Changez ou nettoyez le filtre. Appuyez sur la touche > pour réinitialiser
NETTOYER ROTOR > XXXXX	Demande de nettoyage du rotor.	Nettoyez le rotor. Appuyez sur la touche > pour réinitialiser

MESSAGES DU SYSTÈME

Si le système de commande détecte une anomalie, il génère un message d'erreur (« ER »). Dans ce cas-là, débrancher puis rebrancher l'appareil pour commencer. En général, l'électronique sera alors réinitialisée, et l'appareil fonctionnera de nouveau normalement. Si un message d'erreur s'affiche à nouveau, se reporter alors aux explications et aux correctifs ci-dessous. Si ces correctifs ne règlent pas le problème, faire appel à son centre de service autorisé local.

REMARQUE : Le message **PANNE DE COURANT** n'indique pas une erreur de système. Lorsque ce message apparaît, il signale que le courant vers l'appareil a été coupé, puis rétabli. Pour effacer ce message, appuyez sur la touche  SÉLECTION DE MENU.


MESSAGE DU PANNEAU DE COMMANDE	EXPLICATION ET CORRECTIF
ER1 CONTACTER CENTRE SERVICE	Indique une grave anomalie interne. Le panneau de commande électronique devra peut-être être remplacé. Communiquer avec le service technique. Point de consigne de la température d'entrée d'air pour enclencher le conditionneur d'air à la température de contrôle. Vérifier l'alimentation du secteur (basse tension?).
ER2 CONTACTER CENTRE SERVICE	Erreur du panneau de commande électronique. Il faudra peut-être le remplacer. Si l'anomalie persiste, communiquer avec le service technique.
ER3 VERIFIER MOTEUR A ROTOR"	La différence, température air de réactivation moins température air d'entrée, est trop grande : arrêt de la roue, causé par une anomalie du moteur d'entraînement ou de la courroie. Vérifier la courroie (tension, rupture), les supports de roue et le fonctionnement du moteur.
ER4 VERIFIER MOUVEMENT D'AIR	L'intensité trop basse du réchauffeur indique une anomalie du ventilateur ou une arrivée d'air obstruée. Déboucher l'entrée d'air ou vérifier le fonctionnement du ventilateur.
ER5 CONNEXION SONDE REACTI. ou ER5 CONNEXION SONDE TRAITE	Le capteur de température est ouvert, manquant, ou court-circuité. Vérifier la bonne installation du capteur au panneau de commande. Si l'erreur persiste, communiquer avec le service technique.
ER6 CONNEXION DU CAPTEUR	Le capteur de température d'entrée/HR est ouvert, manquant, ou court-circuité. Vérifier la bonne installation du capteur de température d'entrée/HR au panneau de commande et au carénage d'entrée. Si l'erreur persiste, communiquer avec le service technique.
ER7 CONTACTER CENTRE SERVICE	Défaillance du capteur de courant. Si l'erreur persiste, communiquer avec le service technique.
ER8 REGLAGE INVALIDE	Réglage incorrect ou non pris en charge du commutateur DIP. Communiquer avec le service technique de Dri-Eaz pour obtenir les bons paramètres DIP.
ER9 TOUCHES COINCEE	Une touche est coincée - ou a été laissée enfoncée beaucoup trop longtemps. Communiquer avec le service technique de Dri-Eaz pour un soutien technique/au titre de la garantie.
ER10 CONN SANS FILS DU PANNEAU	La carte de réseau sans fil est tombée en panne, est manquante ou court-circuitée, ou elle est tombée du panneau de commande. Réinstaller la carte de réseau sans fil pour effacer l'erreur. Communiquer avec le service technique de Dri-Eaz pour un soutien technique/au titre de la garantie.

DÉPANNAGE

ANOMALIE	CAUSE	CORRECTIF
Le voyant de circuits distincts ne s'allume pas.	L'appareil n'est pas branché sur deux circuits distincts. Câblage incorrect dans le bâtiment.	Brancher l'appareil sur deux circuits distincts, chacun d'une intensité nominale d'au moins 15 A. Trouver un second circuit de 15 A dans le bâtiment.
Le disjoncteur saute après quelques minutes de fonctionnement.	Sortie de l'air de réactivation non raccordée à une gaine. La gaine est pliée ou bouchée. La gaine est beaucoup trop longue.	La sortie de l'air de réactivation doit toujours être raccordée à une gaine. Redresser les gaines autant que possible; éliminer les obstructions. La longueur ne doit pas dépasser 20 pi.
L'appareil refuse de fonctionner.	L'appareil n'est pas allumé. Aucune alimentation.	Allumer l'appareil. Vérifier le branchement des cordons électriques à la prise murale et au compartiment supérieur de l'appareil. Vérifier les disjoncteurs protégeant l'alimentation.
L'appareil fonctionne, mais la pièce ne sèche pas.	Temps de séchage insuffisant. Déplacement d'air dans la pièce insuffisant. Infiltration excessive d'air humide.	Augmenter le temps de séchage. Accroître l'évaporation au moyen d'appareils de ventilation. Colmater la zone pour réduire l'infiltration.
L'appareil extrait une quantité d'eau insuffisante.	L'air de la pièce est sec. L'air d'entrée est trop chaud. L'air d'entrée est trop humide. Le filtre est bouché.	Vérifier l'humidité avec un hygromètre. Diminuer la température de l'air d'arrivée. Diminuer l'humidité de l'air d'arrivée. Vérifier le filtre. Nettoyer ou remplacer s'il y a lieu.
<p><i>Si l'anomalie rencontrée n'est pas listée ici, joindre son distributeur local ou communiquer avec notre service technique au numéro sans frais 800-932-3030 pour obtenir une aide supplémentaire.</i></p>		

FICHE TECHNIQUE

Alimentation	115 V / 60 Hz
Intensité (max.)	24
Intensité (à 80 °F/60 % HR)	Circuit 1 : 10.7 A Circuit 2 : 10.8 A
Air de traitement	395 pi ³ /min
Air de réactivation	65 pi ³ /min
Extraction d'eau (à 80 °F/60 % HR)	118 chopines/jour 55,8 L par jour
Poids	95 lb 43,1 kg
Dimensions (L x H x D)	21,14 x 33,13 x 20,25 po (avec poignée à la verticale = 42,250 po) 53,7 x 84,15 x 51,4 cm (avec poignée à la verticale = 107,3 cm.)
Filtre à air	F590 (boîte de 24)
Sécurité	Certifié ETL pour la conformité aux normes CSA pour déshumidificateurs

 **AVERTISSEMENT** : Ce produit peut vous exposer à des produits chimiques, dont le plomb et les phtalates, reconnus par l'État de la Californie comme étant des substances pouvant causer le cancer, des anomalies congénitales et d'autres troubles de l'appareil reproducteur. Pour de plus amples renseignements, visitez P65Warnings.ca.gov

PIÈCES INCLUSES

- Collier adaptateur pour la gaine de sortie de l'air de réactivation
- Gaine résistante à la chaleur de 20 pi x 6 po pour la sortie de l'air de réactivation
- Bride de gaine 6 po
- Collier adaptateur de la gaine d'arrivée d'air (facultatif, pose requise)
- Ensemble adaptateur pour gaine sans armature de la sortie de l'air de traitement (facultatif, pose requise)
- Deux cordons électriques, 25 pi chacun

EN OPTION

Gaine sans armature pour sortie d'air de traitement (F536)

DE PLUS AMPLES RENSEIGNEMENTS SUR LE PRODUIT et la documentation courante sont disponibles à www.LegendBrandsRestoration.com.

POUR LES PIÈCES ET UN SERVICE APRÈS-VENTE, APPELEZ VOTRE DISTRIBUTEUR LOCAL ou Dri Eaz au 800 932 3030. www.LegendBrandsRestoration.com

Visitez warranty.LegendBrandsRestoration.com et enregistrez votre achat pour vous assurer de recevoir les communiqués importants sur le produit.

