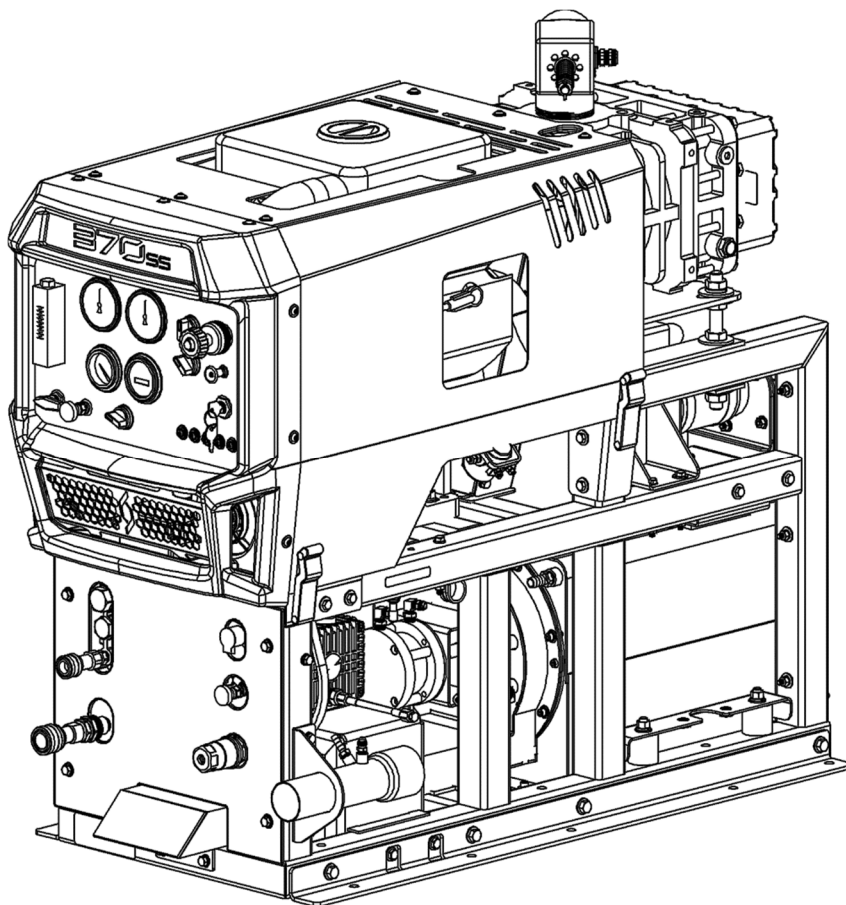


LEGEND BRANDS

370 SS

With KAWASAKI ENGINE

Parts Listing



Part Listing, P/N 127111
Revision A, August 2022
From Serial Number 3975

HOW TO USE THIS MANUAL

This Parts Listing manual is an illustrated catalog of parts relating to the product listed on the title page. The illustrations within are exploded views of assemblies. Each item contains a balloon with a number that corresponds to a table that details the part number and description of each item. This table is called a Bill of Materials, or BOM Table for short.

Some items are listed outside the BOM Table due to being service-only OEM parts or other circumstances.

NOTE: If your unit has received an option or service kit, please refer to the instructions provided with the kit for alternate part numbers.

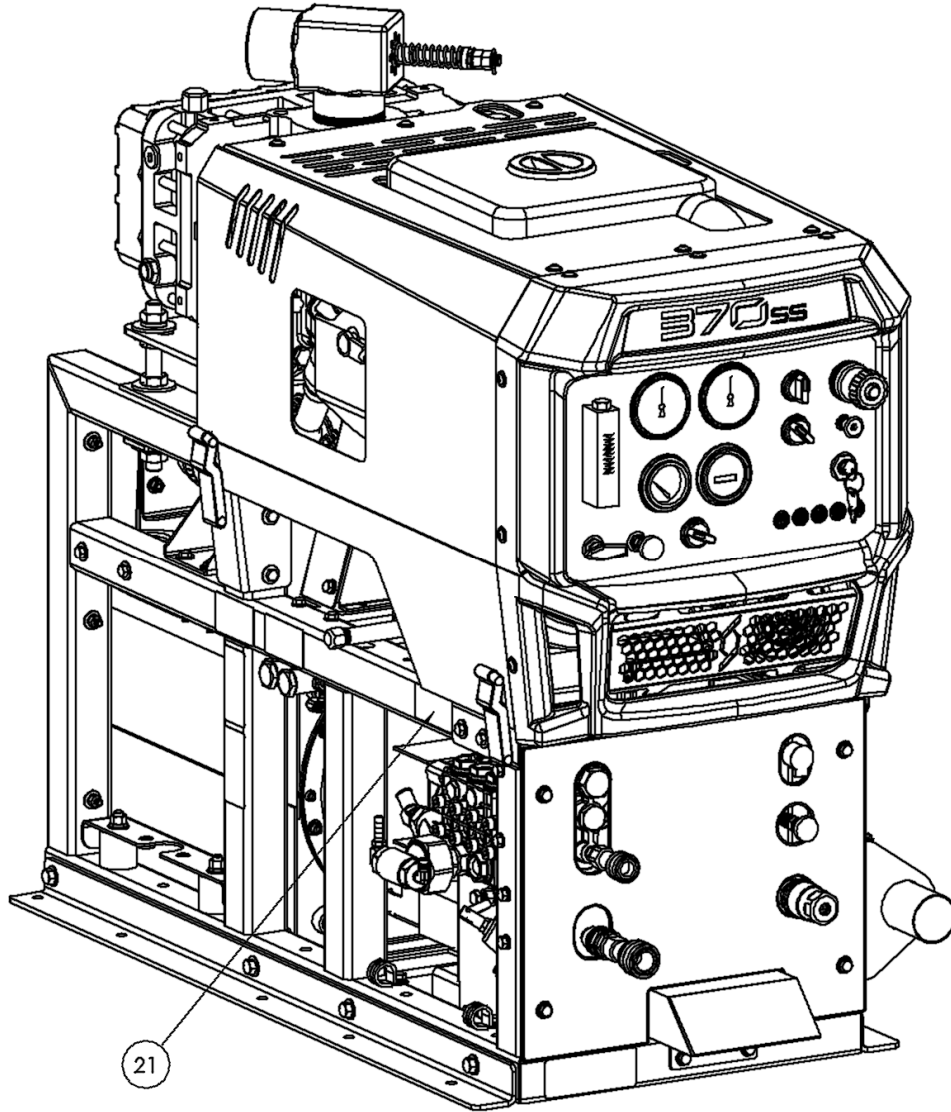
PLEASE REFER TO THE OWNER'S MANUAL FOR YOUR SPECIFIC MODEL FOR INFORMATION ON ORDERING PARTS.

Information in this document is subject to change without notice and does not represent a commitment on the part of Legend Brands.

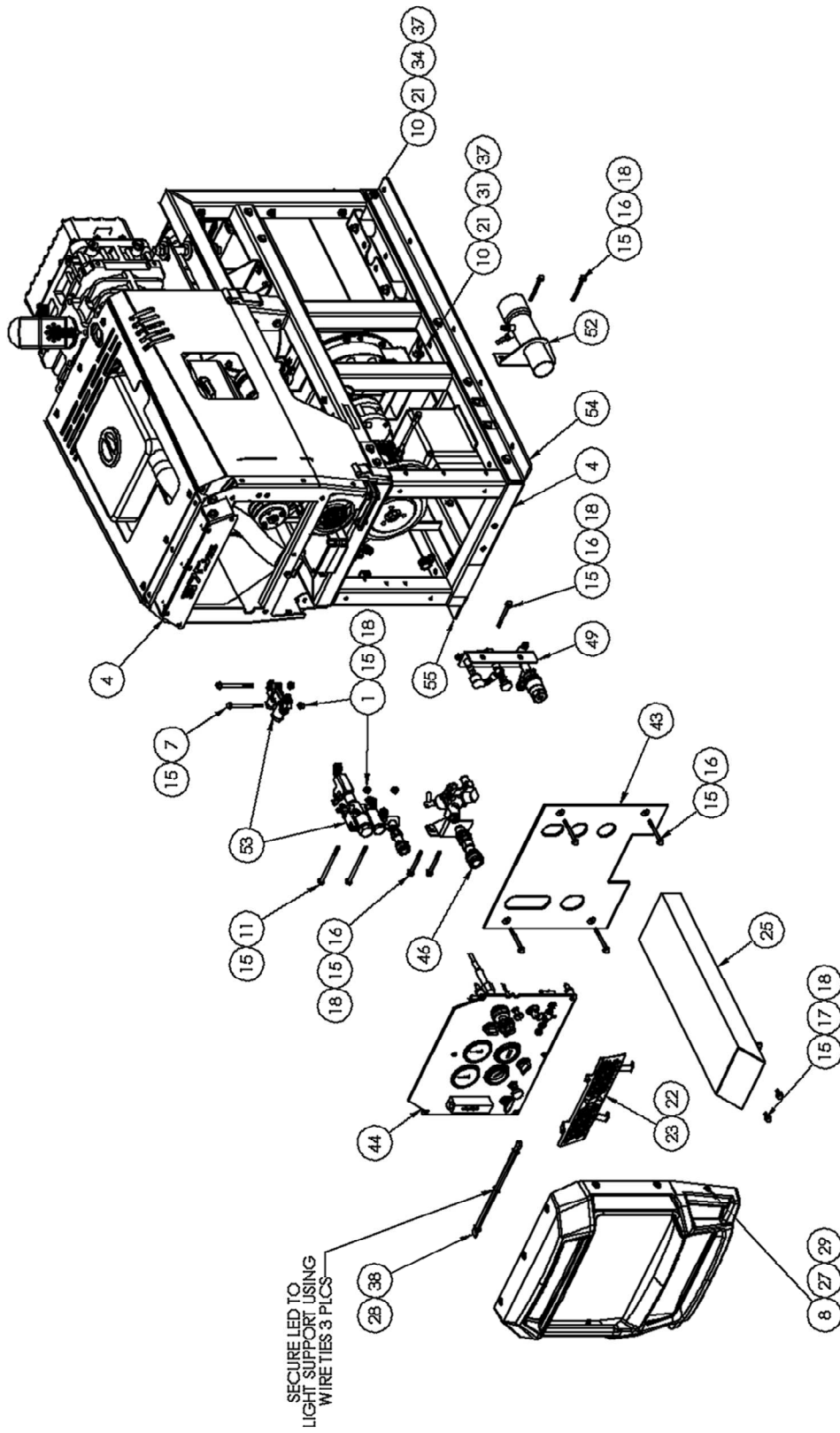
TABLE OF CONTENTS

CONSOLE ASSEMBLY	1
FRAME AND ENCLOSURES	6
INSTRUMENT PANEL ASSEMBLY	8
DIVERTER VALVE ASSEMBLY	11
ENGINE ASSEMBLY.....	12
THROTTLE/CHOKE LINKAGE DETAIL	14
VACUUM PUMP ASSEMBLY	15
PRESSURE PUMP ASSEMBLY	17
PRESSURE PUMP COMPONENTS.....	19
CHEMICAL PUMP ASSEMBLY.....	20
EXHAUST HEAT EXCHANGER ASSEMBLY	21
TEMPERATURE CONTROL MODULE ASSEMBLY.....	23
BELT GUARD ASSEMBLY.....	24
SOLUTION MANIFOLD ASSEMBLY	25
PRESSURE REGULATOR & BYPASS VALVE ASSEMBLY	27
WATER INLET BRACKET ASSEMBLY	28
VACUUM INLET BRACKET ASSEMBLY	29
90 GALLON WASTE TANK.....	30
120 GALLON WASTE TANK.....	32
KIT WASTE TANK HOSES & PORTS.....	34
FUEL PUMP AND HOUSING ASSEMBLY	35
KIT FUEL HOSE & FILTER.....	37
HOSE ROUTING DIAGRAM	38
HOSE ROUTING REFERENCE CHART	39
KIT CONSOLE DECALS.....	40
KIT WASTE PUMP OUT	42
WASTE PUMP OUT ASSEMBLY	43
WASTE OUTLET VALVE & BRACKET ASSEMBLY.....	44
WIRING DIAGRAM	45

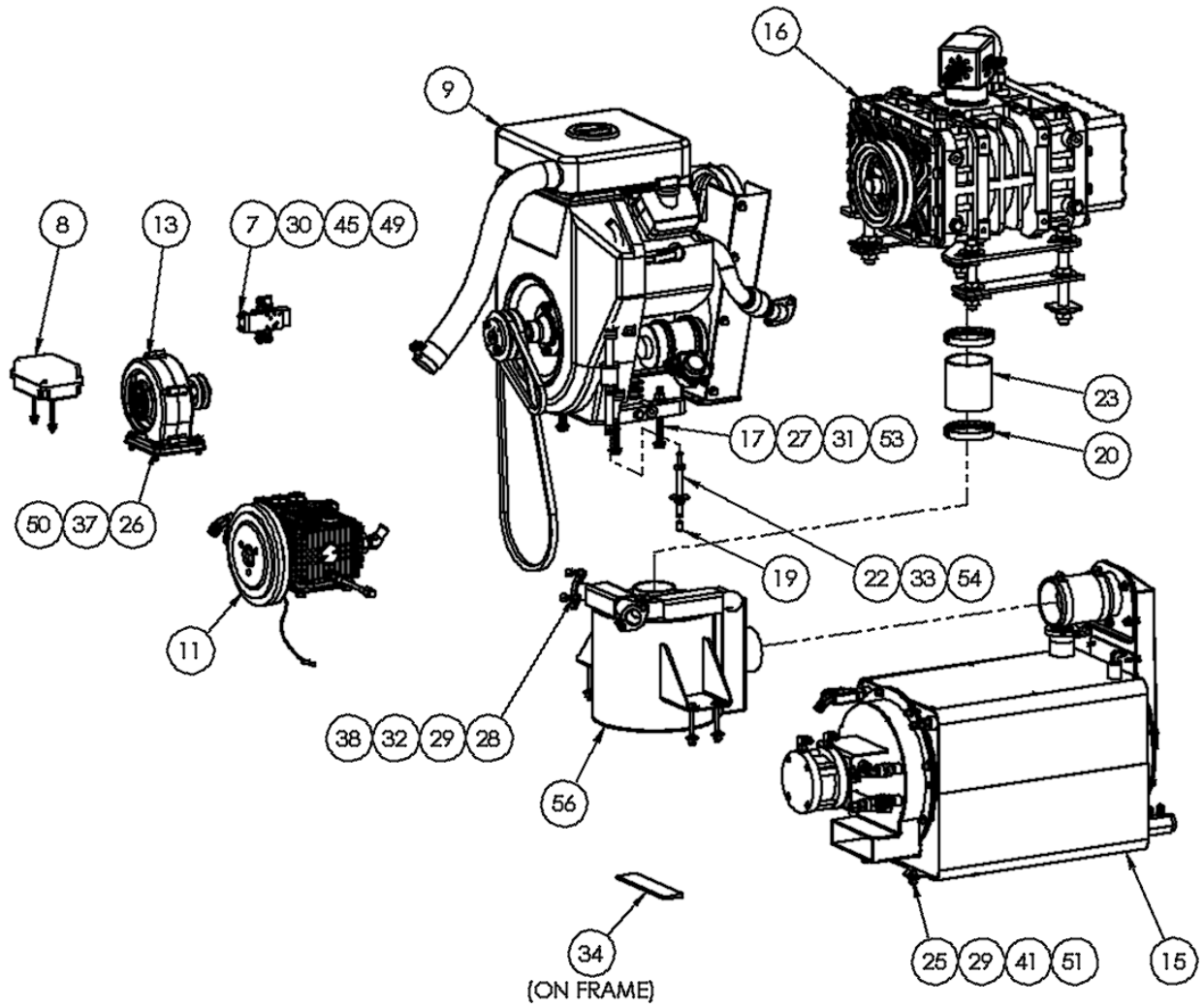
SECTION FIVE: SPARE PARTS AND REFERENCE DOCUMENTS
126763 CONSOLE ASSEMBLY



SECTION FIVE: SPARE PARTS AND REFERENCE DOCUMENTS
126763 CONSOLE ASSEMBLY



SECTION FIVE: SPARE PARTS AND REFERENCE DOCUMENTS
126763 CONSOLE ASSEMBLY



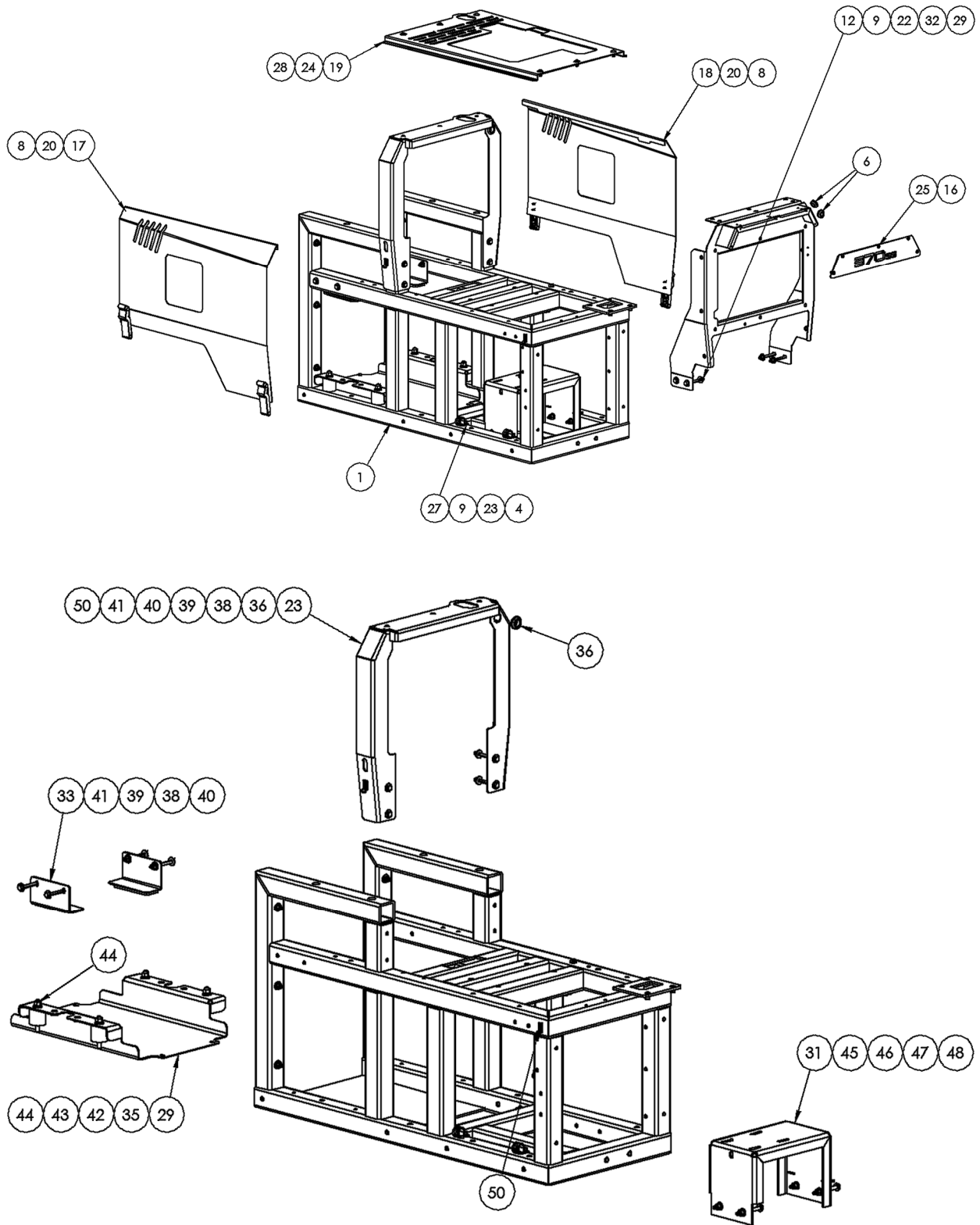
SECTION FIVE: SPARE PARTS AND REFERENCE DOCUMENTS
126763 CONSOLE ASSEMBLY BOM TABLE 1 OF 2

1	56	126451	WMT, SILENCER 370
1	55	116777	WELDMENT, EXHAUST EXTENSION
1	54	114860	WASHER, FLAT, 7/16 ZINC
24	53	120150	WASHER, FLAT 3/8 USS
8	52	116631	WASHER, FLAT 1/4 USS
17	51	116630	WASHER, FLAT 1/4 SS ANC
27	50	124468	WASHER, FLAT #12 SAE
2	49	123609	WASHER, FLAT #10 SAE ZP
3	48	116049	TIE, WIRE 6 IN BLACK
1	47	115977	THERMOFORM, BEZEL TRIMMED PART 6-16
2	46	124463	SCREW,MACH1/4-20X3/4 HXHD GRD5 OR 10-032
2	45	112552	SCREW,MACH 10-32 X 5/8 PPHZ
4	44	112801	SCREW, MACH 5/16-18 X 1 SHCS BLACK OXIDE
6	43	114547	SCREW, MACH 3/8-16 X 3 HXHD
2	42	112474	SCREW, MACH 3/8-16 X 1 HXHD
4	41	112703	SCREW, MACH 1/4-20X3/4 SS SOCH
9	40	126112	SCREW, MACH 1/4-20 X 5/8 BHSCS ZP
2	39	124832	SCREW, MACH 1/4-20 X 4-1/2 HXHD ZP
13	38	124467	SCREW, MACH 1/4-20 X 2-3/4HXHD
4	37	124621	SCREW, MACH 1/4-20 X 1 HXHD SS
4	36	119269	RIVET, 1/8 X .25 HD .126-.187 GRIP ALUM BLK
1	35	118965	PNL, GRILL 370A
0.4	34	111703	PAD, 1/4 SILICONE SPONGE 1-1/2W X 16-1/2L
1	33	124825	NUT, 7/16-20 THIN NYLOK ZP
4	32	109392	NUT, 5/16-18 ZINC
12	31	125067	NUT, 3/8-16 ZP
2	30	123603	NUT, 10-32 NYLOK
16	29	126799	NUT, 1/4-20 ZINC
4	28	126570	LKWSR, 5/16 ZINC
12	27	108930	LKWSR, 3/8 ZINC
23	26	124461	LKWSR, 1/4 ZINC
4	25	118145	LKWSR, 1/4 IN SS
1	24	108927	LIGHT, LED STRIP
3.25 IN	23	107544	HOSE, 2.88 IN ID X 3FT SILICONE 550F
1	22	106424	FITTING, 1/4 X 5/16 FUEL LINE MANIFOLD
1	21	103430	DECAL, SERIAL
2	20	102688	CLAMP, HOSE #44 SS
1	19	125994	CAP, .31-.38 OD VINYL
2	18	126161	BOLT, 1/4-20 X 3-1/2 HH ZP
4	17	124816	BOLT, TAP 3/8-16 X 4 G5 ZP
1	16	126627	ASSY, VACUUM PUMP
1	15	100803	ASSY, THERMAL WELL
1	14	101004	ASSY, QD BRACKET
1	13	103024	ASSY, MOLDED BELT GUARD BLOWER
1	12	103019	ASSY, LOWER FRONT PANEL
1	11	100890	ASSY, GEN HTX1813S WATER PUMP
1	10	126622	ASSY, FRAME AND ENCLOSURES
1	9	126624	ASSY, ENGINE 370B
1	8	100604	ASSY, EA MODULE
1	7	100500	ASSY, DIVERTER VALVE
1	6	102879	ASSY, CONTROL PANEL
1	5	100703	ASSY, BRACKET MTG LOWER RIGHT
1	4	100371	ASSY, 2 IN VACUUM BRKT
1	3	100348	ASSEMBLY, MANIFOLD BLOCK
1	2	100203	ANGLE, CONSOLE MOUNTING RAIL RS
1	1	100202	ANGLE, CONSOLE MOUNTING RAIL LS
QTY	ITEM	PART NO	DESCRIPTION

SECTION FIVE: SPARE PARTS AND REFERENCE DOCUMENTS
126763 CONSOLE ASSEMBLY BOM TABLE 2 OF 2

1.5	QT	118446	OIL AEON PD-XD
.50	EA	108931	LOCKTITE SEALANT 567
1.0	GAL	100216	ANTIFREEZE, DUAL PURPOSE
1.5	QT	111478	OIL, 30W
2	EA	110315	CLAMP, WIRE CUSHION 1.0 ID X 1/4 BOLT
4	EA	110316	CLAMP, WIRE CUSHION 3/4 ID X 1/4 BOLT
20	IN	113135	SLEEVE, 1 IN BLACK NYLON
1	EA	107614	HOSE, PULSE 3/8" X 3/6" W/FITTINGS
1	EA	110903	PLUG, 3/8 NTP BRASS
18	IN	108182	LOOM, HI HEAT .350 BLACK
5	FT	105230	GASKET, 1/16 X 1/2 VINYL SPONGE W/PSA
1	EA	100474	ASSY, BATTERY CABLE RED THERMAL
1	EA	100775	ASSY, BATTERY CABLE BLACK THERMAL
1	EA	105527	HARNESS, 370SS LEFT SIDE
1	EA	105784	HARNESS, 370SS RIGHT SIDE
1	EA	107152	HARNESS, TEMP CONTROL FINAL
1	EA	126717	HARNESS, KAWASAKI ENGINE
1	EA	126718	JUMPER, KAWASAKI STARTER GROUND
1	EA	126719	JUMPER, KAWASAKI STARTER PWR
1	EA	113512	TAG, RED MAX VAC 13 HG
1	EA	107271	KIT, CONSOLE HOSES 370
1	EA	108614	KIT, CONSOLE DECALS 370
1	EA	118189	MANUAL, 370SS
1	EA	100913	ASSY, LEVEL SENSOR SHUTOFF
QTY	U/M	PART NO.	DESCRIPTION
ITEMS NOT SHOWN IN DRAWING VIEWS			

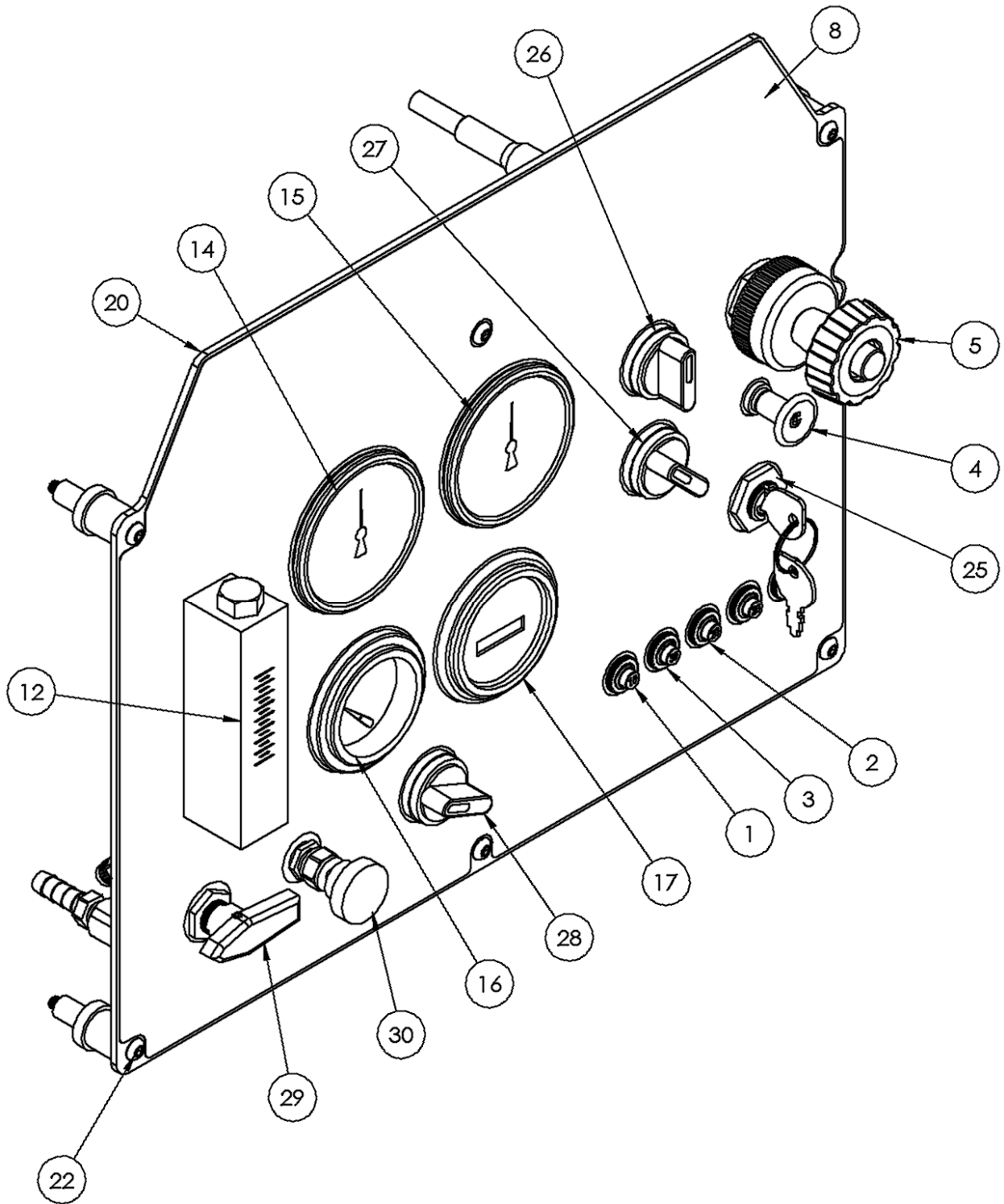
SECTION FIVE: SPARE PARTS AND REFERENCE DOCUMENTS
126622 FRAME AND ENCLOSURES



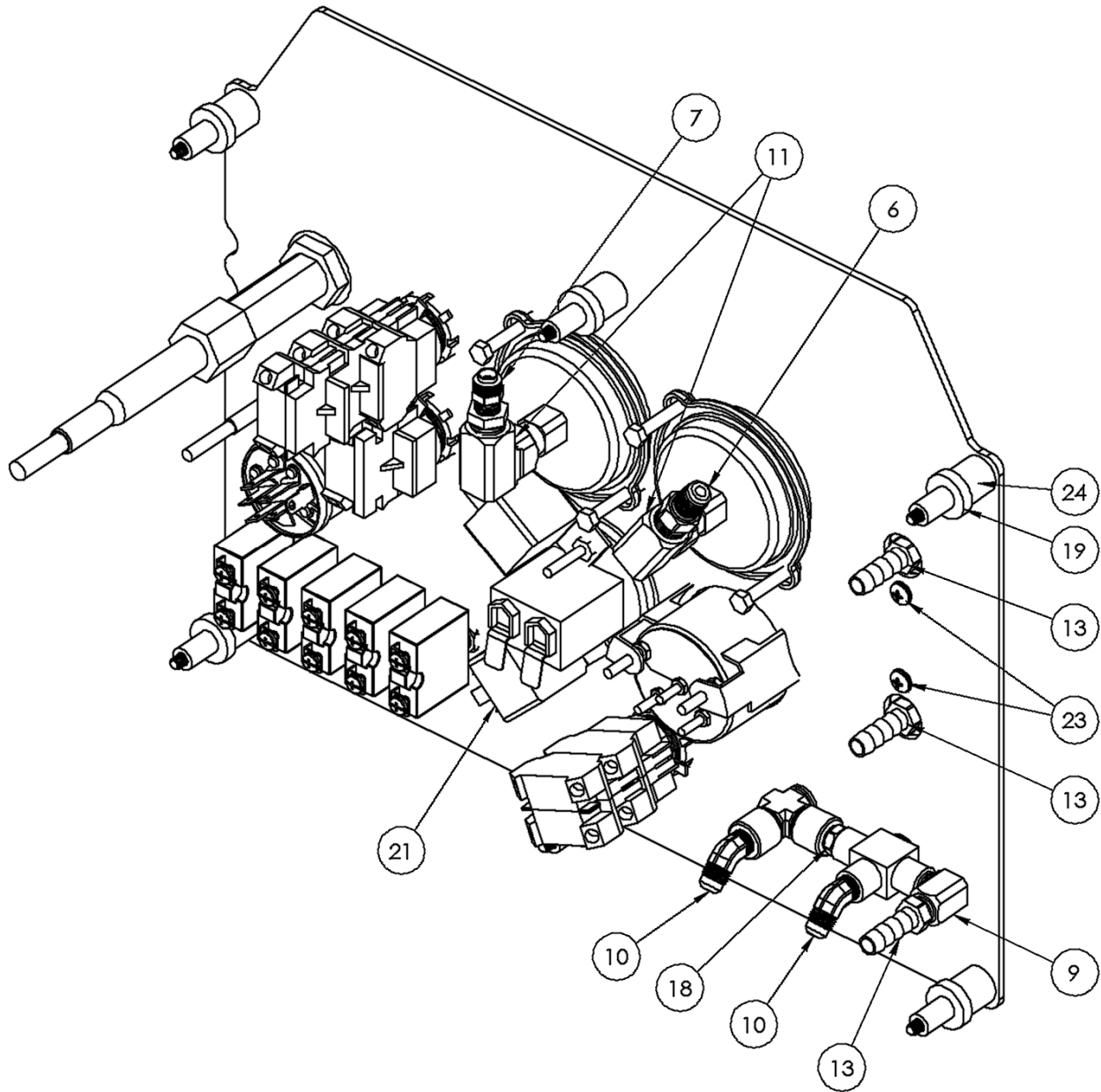
SECTION FIVE: SPARE PARTS AND REFERENCE DOCUMENTS
126622-FRAME AND ENCLOSURES BOM TABLE

1	35	115368	WELDMENT, THERMAL WELL CRADLE
1	34	115529	WELDMENT, REAR BRACE
1	33	116858	WELDMENT, PUMP BRACKET GEN HTX1813S
1	32	116672	WELDMENT, BEZEL SUPPORT
8	31	124460	WASHER, FLAT 5/16 SAE ZINC
10	30	120150	WASHER, FLAT 3/8 USS
36	29	116631	WASHER, FLAT 1/4 USS
6	28	116630	WASHER, FLAT 1/4 SS ANC
5	27	124468	WASHER, FLAT #12 SAE
4	26	126189	SCREW, MACH 5/16-18 X 3 HXHD Z 5
5	25	125343	SCREW, MACH 10-32 X 1/2 BHSCS ZP
6	24	126112	SCREW, MACH 1/4-20 X 5/8 BHSCS ZP
3	23	112553	SCREW, MACH 1/4-20 X 3/4 HXHD ZP
19	22	119453	SCREW, MACH 1/4-20 X 2-3/4 HXHD
8	21	119268	RIVET, 5/32 X .312 HD .251-.375 GRIP SS
8	20	112026	RIVET, 5/32 X .312 HD .062-.125 GRIP SS
1	19	126623	PNL, TOP HOOD
1	18	126868	PNL, RIGHT SIDE
1	17	126867	PNL, LEFT SIDE
1	16	110808	PLT, BEZEL NAMEPLATE 370SS
4	15	109392	NUT, 5/16-18 ZINC
10	14	125067	NUT, 3/8-16 ZP
1	13	118416	NUT, 1/4-20 ZINC
18	12	126799	NUT, 1/4-20 ZINC
4	11	126570	LKWSR, 5/16 ZINC
10	10	108930	LKWSR, 3/8 ZINC
22	9	124461	LKWSR, 1/4 ZINC
4	8	109529	LATCH, DRAW SS CONCEALED MOUNT
4	7	117662	ISOLATOR, 1.5 OD X 1.5 TALL 50 DURO
2	6	105430	GROMMET, 7/8" OD X 3/8" ID X 1/8" PANEL
1	5	117223	GROMMET, 1-1/8 OD X 5/8 ID X 1/8 PANEL
3	4	110316	CLAMP,WIRE CUSHION 3/4 ID X 1/4 BOLT
1	3	110315	CLAMP,WIRE CUSHION 1.00 ID X 1/4 BOLT
2	2	101212	ASSY, WATER BOX BRACKET
1	1	100618	ASSY, FRAME 370A
QTY	ITEM	PART NO.	DESCRIPTION

SECTION FIVE: SPARE PARTS AND REFERENCE DOCUMENTS
102879-INSTRUMENT PANEL ASSEMBLY



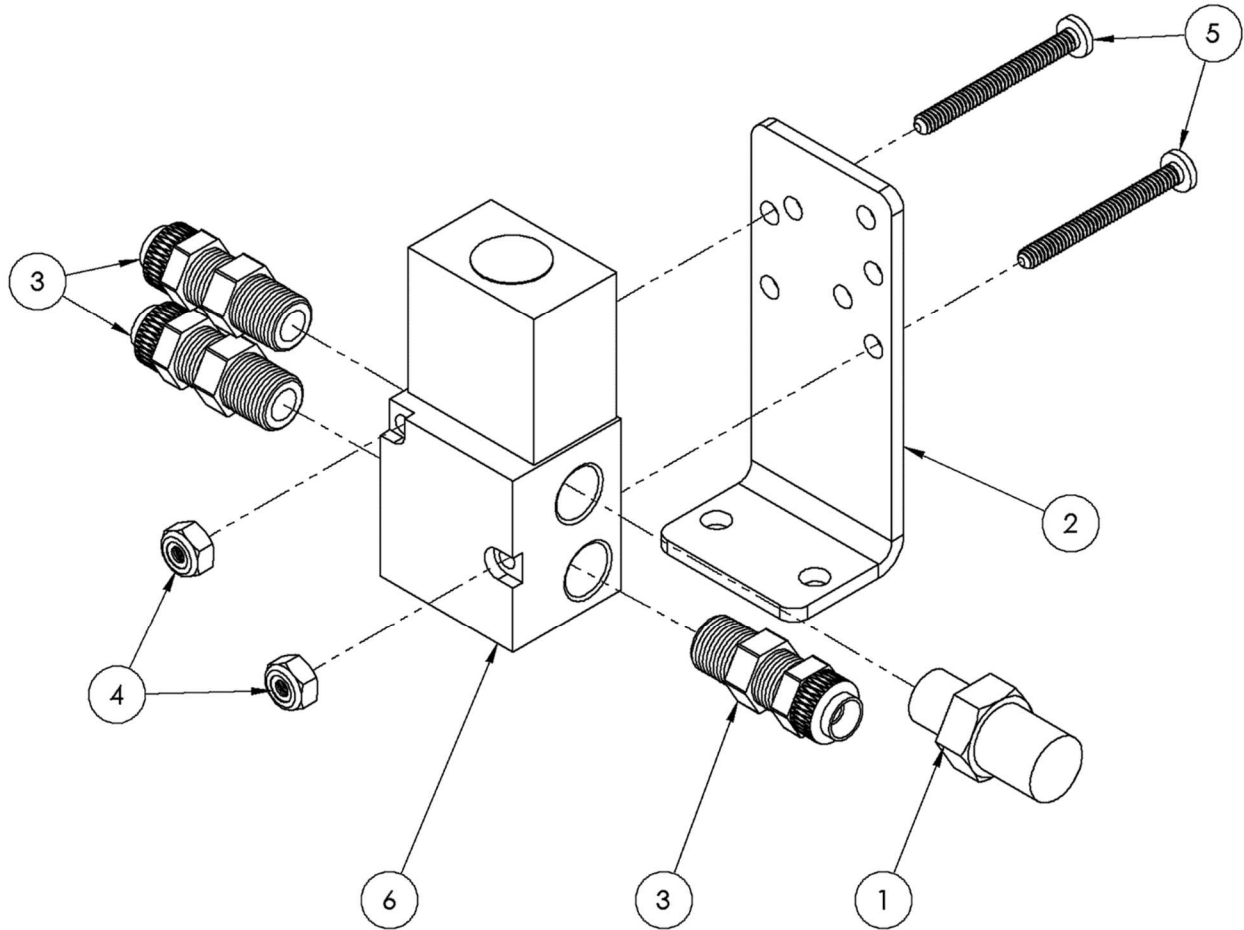
SECTION FIVE: SPARE PARTS AND REFERENCE DOCUMENTS
102879-INSTRUMENT PANEL ASSEMBLY



SECTION FIVE: SPARE PARTS AND REFERENCE DOCUMENTS
102879 INSTRUMENT PANEL ASSEMBLY BOM TABLE

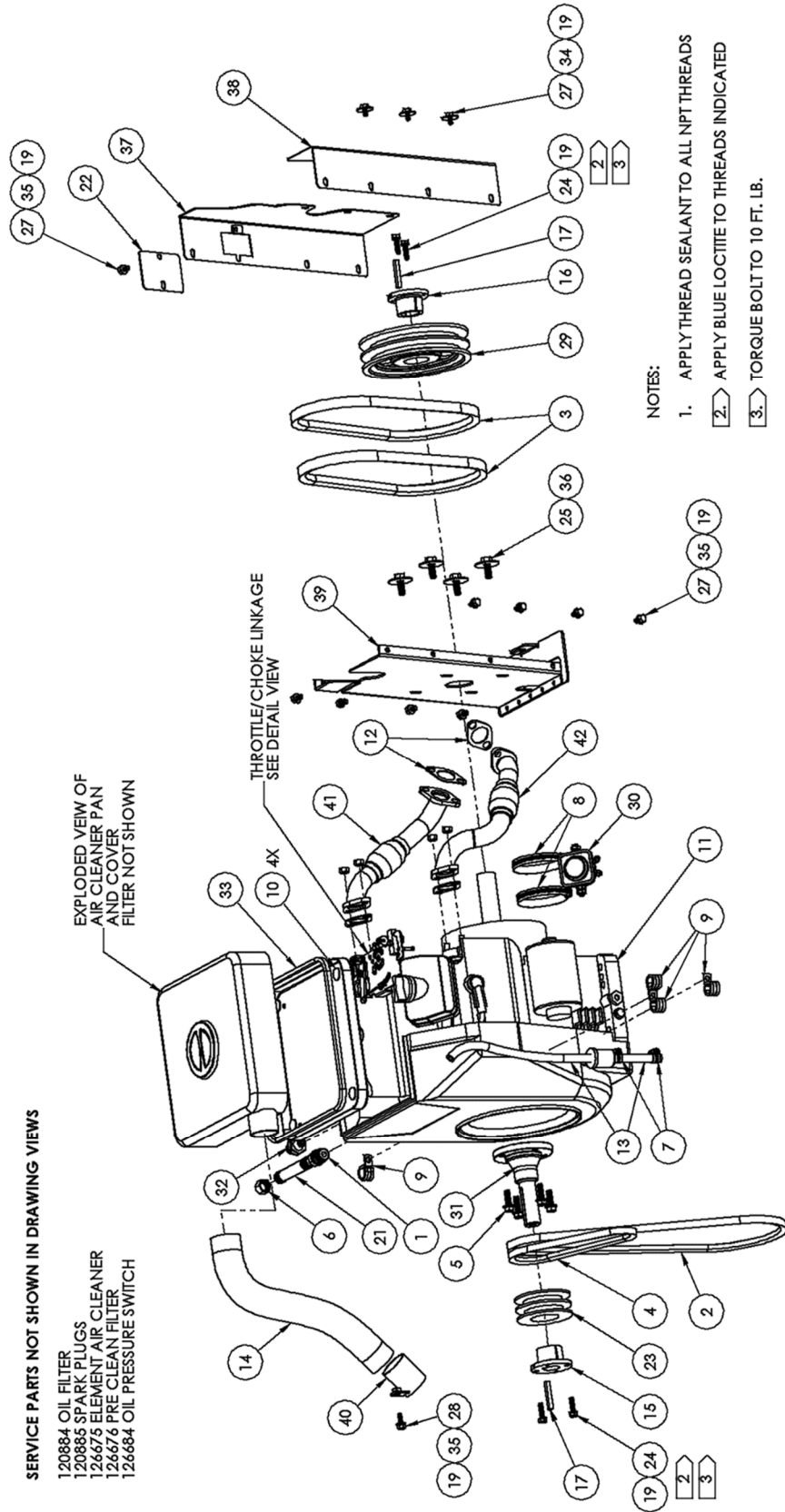
1	30	114691	VLV, MET 1/8 FP (CHEM) RT ANG SS
1	29	116514	VALVE, 3-WAY BALL 1/8 FP SS
1	28	113437	SWITCH, ROTARY, 4POS 2NO 2NC
1	27	113713	SWITCH, ROTARY NON-ILLUMINATED
1	26	115764	SWITCH, ROTARY 3 POS SR FROM LEFT 3 NO 1 NC
1	25	113676	SWITCH, INDAK W/ B805 HARDWARE
6	24	113247	SPACER, .625 OD X .192 ID X .625 LG 6-6 NYLON
2	23	125062	SCREW, MACH 10-32 X 1/4 PHP ZP
6	22	126179	SCREW, MACH 10-32 X 1.75 BHSCS SS
2	21	111850	RELAY, ENG.SHTDWN 12V 40/60AMP
1	20	121327	PNL, CONTROL PANEL
6	19	111396	NUT, WELL G 10-32
1	18	111219	NIP, 1/8 IN HEX BRASS
1	17	106369	HOURMETER, HOBBS CHROME BEZEL
1	16	106842	GAUGE, WTR TEMP CHROME 280 DEG.
1	15	106840	GAUGE, VACUUM 2.5 IN 0-30 IN/HG
1	14	106839	GAUGE, PRESSURE 2.5 IN 0-1500 PSI
3	13	105363	FTTG, BARB 1/8 P X 5/16 H BR
1	12	104762	FLOWMETER, 1/8 FP
2	11	104988	ELL, 1/4 IN. BRASS
2	10	104191	ELL, 1-8 P X 1/4 T 45 DEG BRASS
1	9	116271	ELL, STREET 1/8 IN BRASS
1	8	103648	DECAL, INSTRUMENT PANEL
1	7	110779	CONN, 1/4 P X 1/4 POLY
1	6	103762	CONN, 1/4 NPT X 1/4 JIC BRASS
1	5	109100	CABLE, THROTTLE
1	4	122835	CABLE, CHOKE
1	3	101957	BREAKER, 30A SCREW TERM
3	2	108160	BREAKER, 20A SCREW TERM
1	1	101956	BREAKER, 10A SCREW TERM
QTY	ITEM	PART NO.	DESCRIPTION

SECTION FIVE: SPARE PARTS AND REFERENCE DOCUMENTS
100500 DIVERTER VALVE ASSEMBLY



1	6	110418	VALVE, MACVALVE 45A-AA1-DDBA-1BA=CLSF
2	5	126028	SCREW, MACH 6-32 X 1-3/8 PHP ZP
2	4	126010	NUT, 6-32 NYLOK ZP
3	3	110781	CONN, 1/8 P X 1/4 POLY
1	2	101937	BRACKET, DIVERTER LOCKOUT VALVE
1	1	100136	1/8 IN AIR MUFFLER
QTY	ITEM	PART NO.	DESCRIPTION

SECTION FIVE: SPARE PARTS AND REFERENCE DOCUMENTS
126624 ENGINE ASSEMBLY

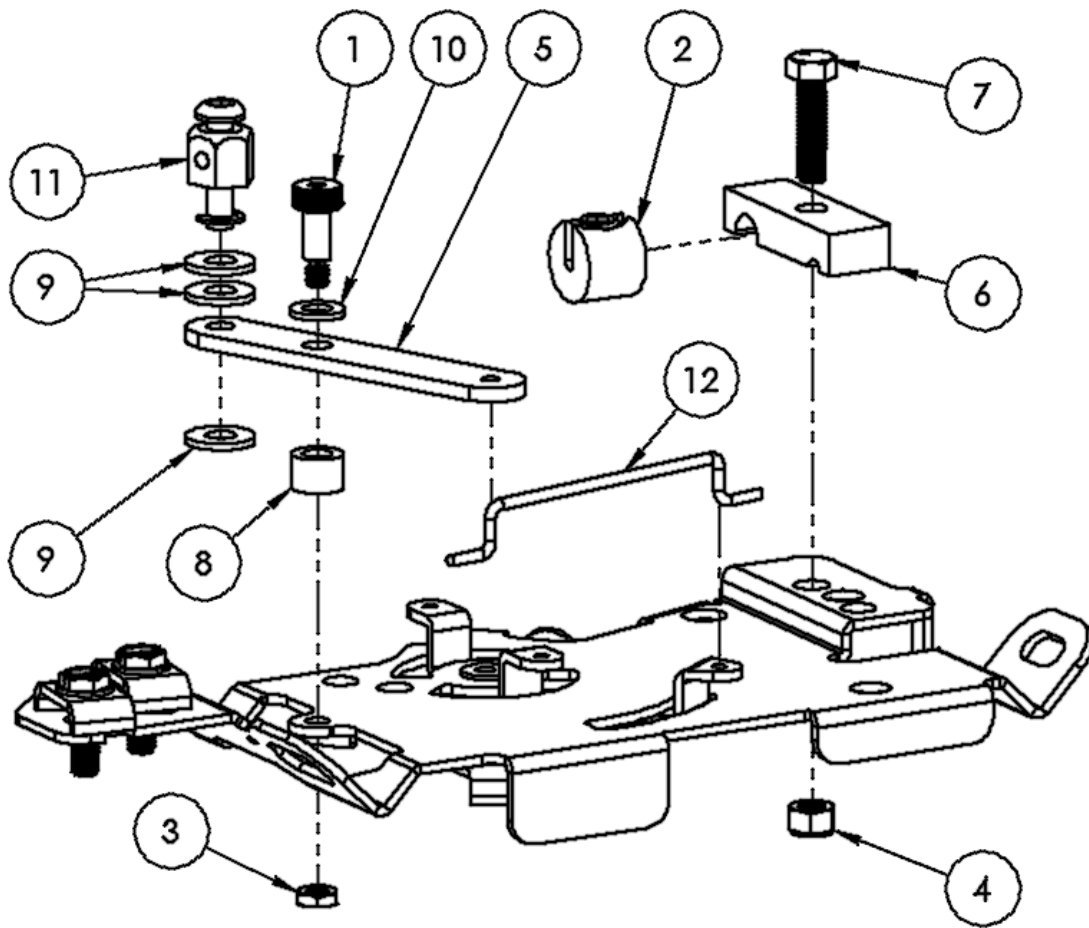


SECTION FIVE: SPARE PARTS AND REFERENCE DOCUMENTS

126624 ENGINE ASSEMBLY BOM TABLE

1	42	126669	WMT, EXHAUST TUBE RS
1	41	126668	WMT, EXHAUST TUBE LS
1	40	126683	WMT, ENGINE AIR INLET
1	39	126625	WMT, BELT GUARD
1	38	114955	WELDMENT, BELT GUARD RS
1	37	114952	WELDMENT, BELT GUARD LS
4	36	126113	WASHER, 3/8 X 1-1/2 FENDER ZINC
10	35	124468	WASHER, FLAT #12 SAE
3	34	126828	WASHER, FENDER 1/4 X 1.0 ZP
3.2 FT	33	126685	TRIM, .3/32 EDGE X 3/8
1	32	126684	SWITCH, OIL PRESSURE 27010-0818
1	31	126731	STUB SHAFT, KOHLER 24 144 23-S
1	30	112950	SOLENOID, STARTER NAP A ST81SB
1	29	111435	SHEAVE, BROWNING 2BK70H
1	28	124463	SCREW, MACH 1/4-20X3/4 HXHD GRD5 OR 10-032
12	27	124614	SCREW, MACH 1/4-20 X 1/2 HXHD ZPS
1	26	124395	SCREW, MACH M8-1/25 X 16 HEXHD
4	25	112474	SCREW, MACH 3/8-16 X 1 HXHD
4	24	124396	SCREW, MACH 1/4-20 X 1 HXHD YZ8
1	23	111275	PULLEY, BROWNING 2AK34H
1	22	112514	PLATE, BELT INSPECTION
1	21	109524	NIPPLE, 3/8 NPT X 4 SS
4	20	127094	LKWSR, 3/8 ZINC
17	19	124461	LKWSR, 1/4 ZINC
1	18	124817	LKWSR, M8 HARD
2	17	108371	KEYSTK, 1/4 SQUARE X 1.75L 304 SS
1	16	106179	HUB, H X 1-1/8 W/SET SCREW
1	15	107970	HUB, H X 1 W/SET SCREW
1.7 FT	14	126667	HOSE, 1.75 ID X .03W FLEX HI-FLOW HELIX
1.5 FT	13	117445	HOSE, FUEL 1/4 30R9 FUEL INJECTION
2	12	106832	GASKET, EXHAUST
1	11	126613	ENGINE, KAWASAKI 23HP
4	10	126834	DISC, 3/4 OD ALUM FOIL
4	9	102697	CLAMP, WIRE CUSHION 5/8 ID X 1/4 BOLT
2	8	102688	CLAMP, HOSE #44 SS
2	7	103663	CLAMP, HOSE #4
1	6	102374	CAP, 3/8 NPT BRASS
4	5	126747	BOLT, HEX FLANGE M8-1.25 X 25MM
1	4	102128	BELT, 3L190
2	3	101476	BELT, BX32 GATES EPDM
1	2	101364	BELT, AX40 GATES
1	1	126616	ADAPTER, 20M X .38 FNPT
QTY	ITEM	PART NO.	DESCRIPTION

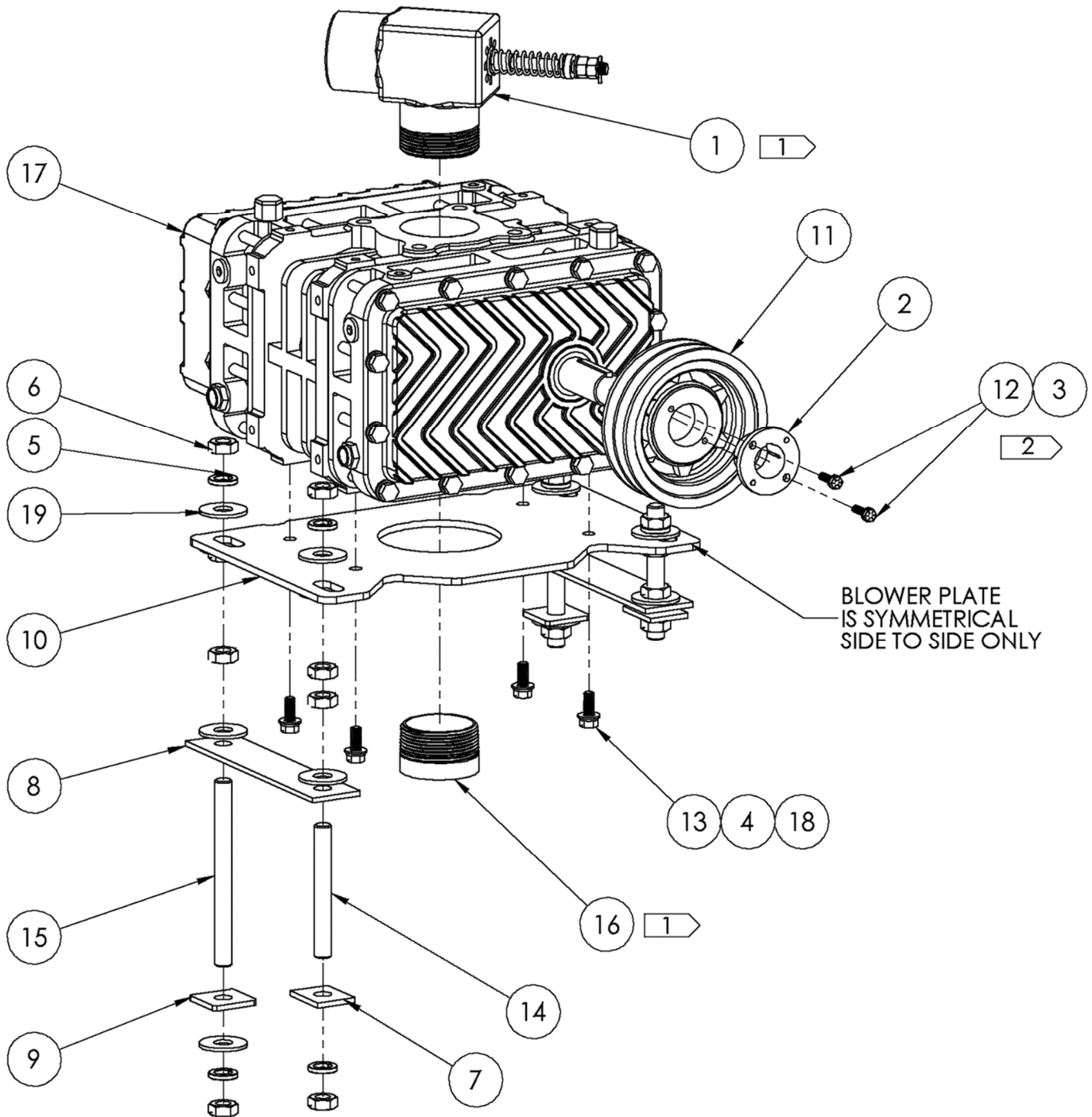
SECTION FIVE: SPARE PARTS AND REFERENCE DOCUMENTS
THROTTLE/CHOKE LINKAGE AND BOM TABLE



THROTTLE/CHOKE LINKAGE DETAIL

1	12	126752	WIRE, THROTTLE LINKAGE
1	11	116977	WIRE PIVOT, 3/16 SHANK X 1/4 GRIP
1	10	127095	WASHER, FLAT M5 ZP
3	9	123608	WASHER, FLAT #10 SS
1	8	126759	SPACER, .375 OD X .218 ID X .25 L
1	7	126825	SCREW, MACH M5-0.8 X 20MM Z HXHD G8.8
1	6	126680	RETAINER, CABLE FH680
1	5	126681	PLT, CHOKE LINKAGE
1	4	109671	NUT, M5-0.8 NYLOCK ZP
1	3	126762	NUT, M4-0.7 THIN ZP
1	2	126761	COLLAR, THROTTLE STOP
1	1	126758	BOLT, SHOULDER 5MM X 10MM SL X M4-0.7 SS
QTY	ITEM	PART NO.	DESCRIPTION

SECTION FIVE: SPARE PARTS AND REFERENCE DOCUMENTS
126627 VACUUM PUMP ASSEMBLY



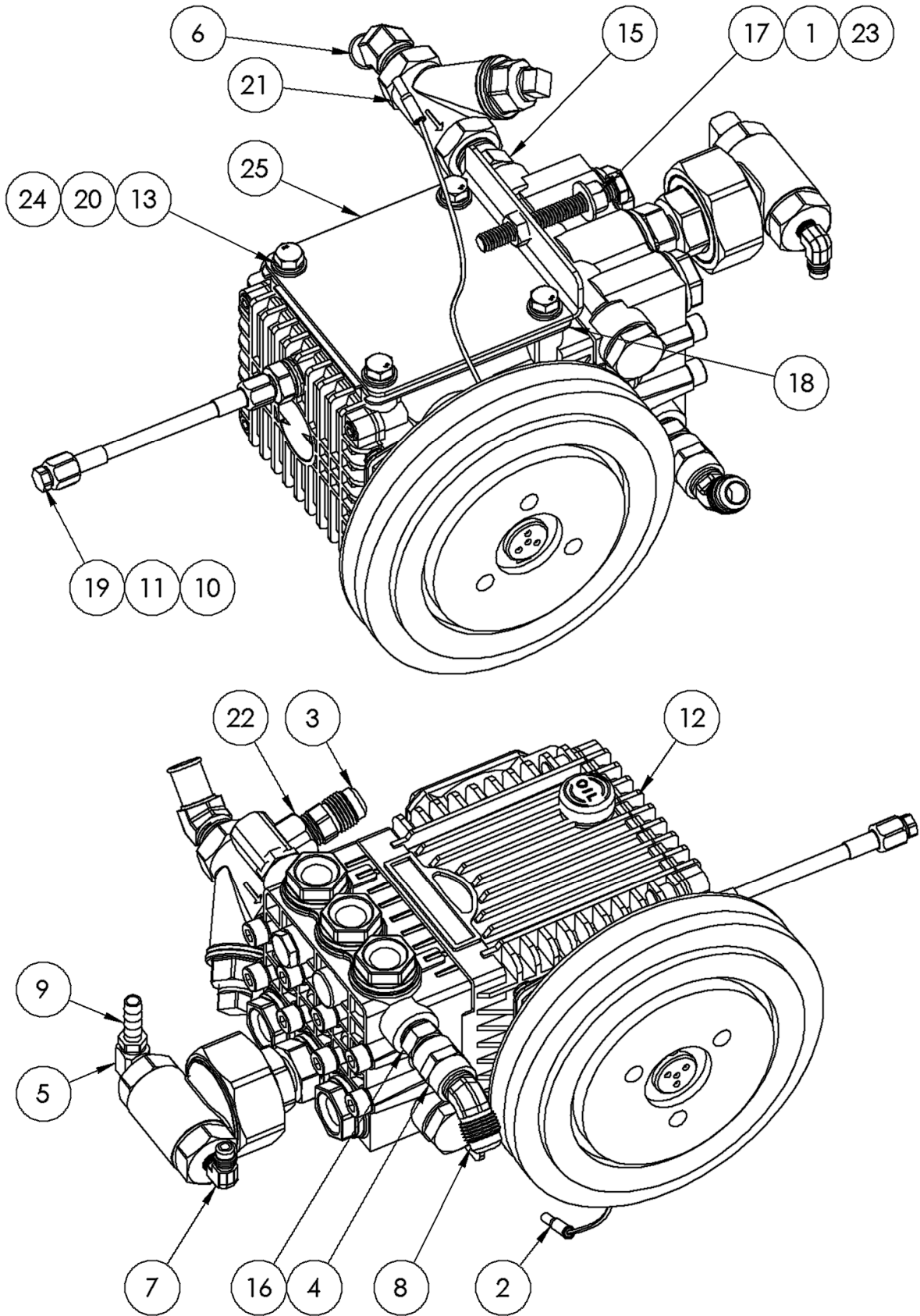
NOTES:

- 1. APPLY ANTI-SEIZE TO INDICATED PIPE THREADS AND FASTENERS BEFORE ASSEMBLY.
- 2. TORQUE HUB BOLTS TO 15 FT-LBS.

SECTION FIVE: SPARE PARTS AND REFERENCE DOCUMENTS
126627 VACUUM PUMP ASSEMBLY BOM TABLE

14	19	125687	WASHER, FLAT 5/8 USS
4	18	120150	WASHER, FLAT 3/8 USS
1	17	125521	VACUUM PUMP, EURUS ZG4006
1	16	126565	TUBE, BLOWER OUTLET 2.5 NPT X 2.0L
2	15	114090	THREADED ROD, 5/8-18 X 7.0 IN
2	14	119838	THREADED ROD, 5/8-18 X 5.0 IN
4	13	112474	SCREW, MACH 3/8-16 X 1 HXHD
2	12	124396	SCREW, MACH 1/4-20 X 1 HXHD YZ8
1	11	111278	PULLEY, BROWNING 2BK62H
1	10	126640	PLT, VACUUM PUMP MOUNT
2	9	110105	PLT, BLOWER MOUNT
2	8	112522	PLATE, BLOWER MOUNTING TOP
2	7	110793	PLATE, BLOWER MOUNTING MIDDLE
16	6	125684	NUT, 5/8-18 JAM
8	5	125686	LKWSR, 5/8 ZP
4	4	108930	LKWSR, 3/8 ZINC
2	3	124461	LKWSR, 1/4 ZINC
1	2	117555	HUB, H X 1-1/4 W/SET SCREW
1	1	101177	ASSEMBLY, VACUUM BRAKE, 3L & 4M
QTY	ITEM	PART NO.	DESCRIPTION

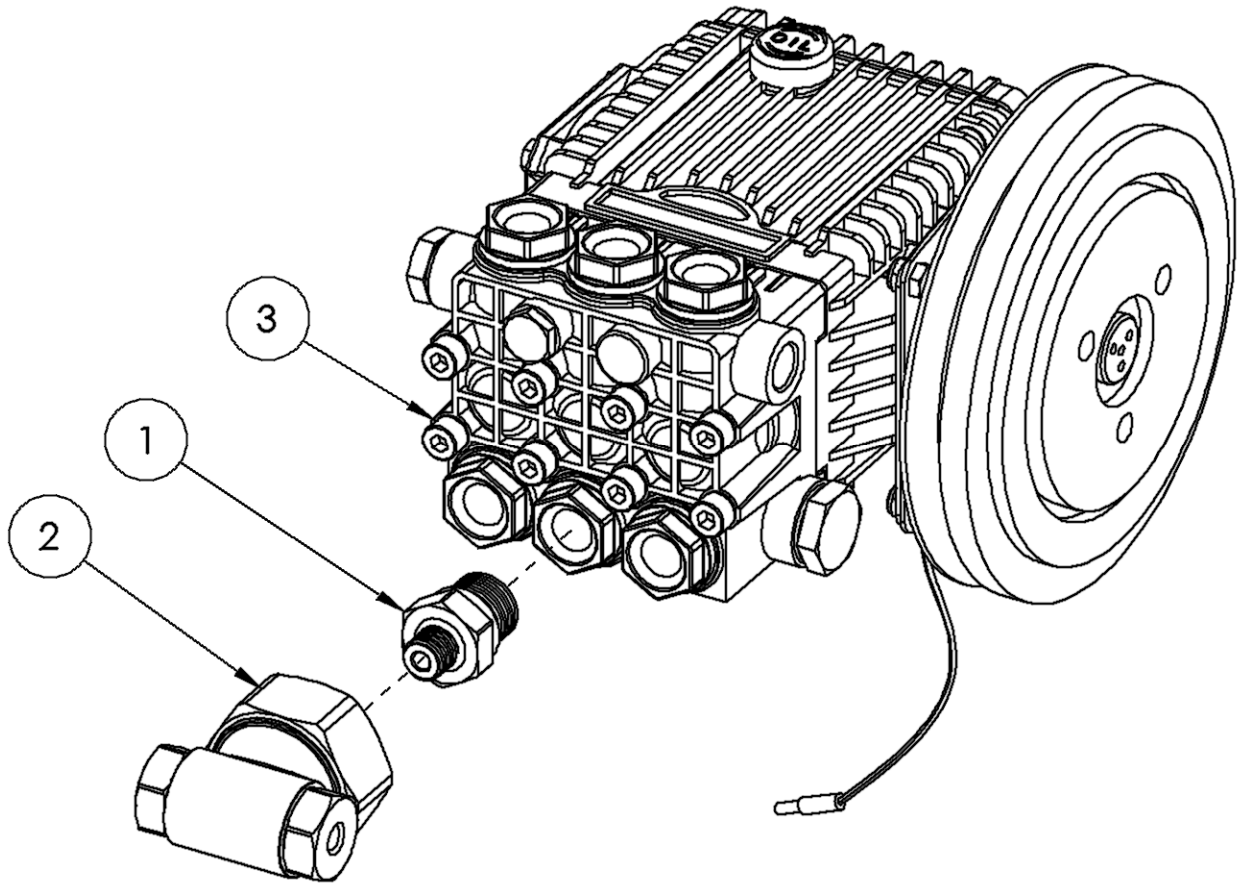
SECTION FIVE: SPARE PARTS AND REFERENCE DOCUMENTS
100890 PRESSURE PUMP ASSEMBLY



SECTION FIVE: SPARE PARTS AND REFERENCE DOCUMENTS
100890 PRESSURE PUMP ASSEMBLY BOM TABLE

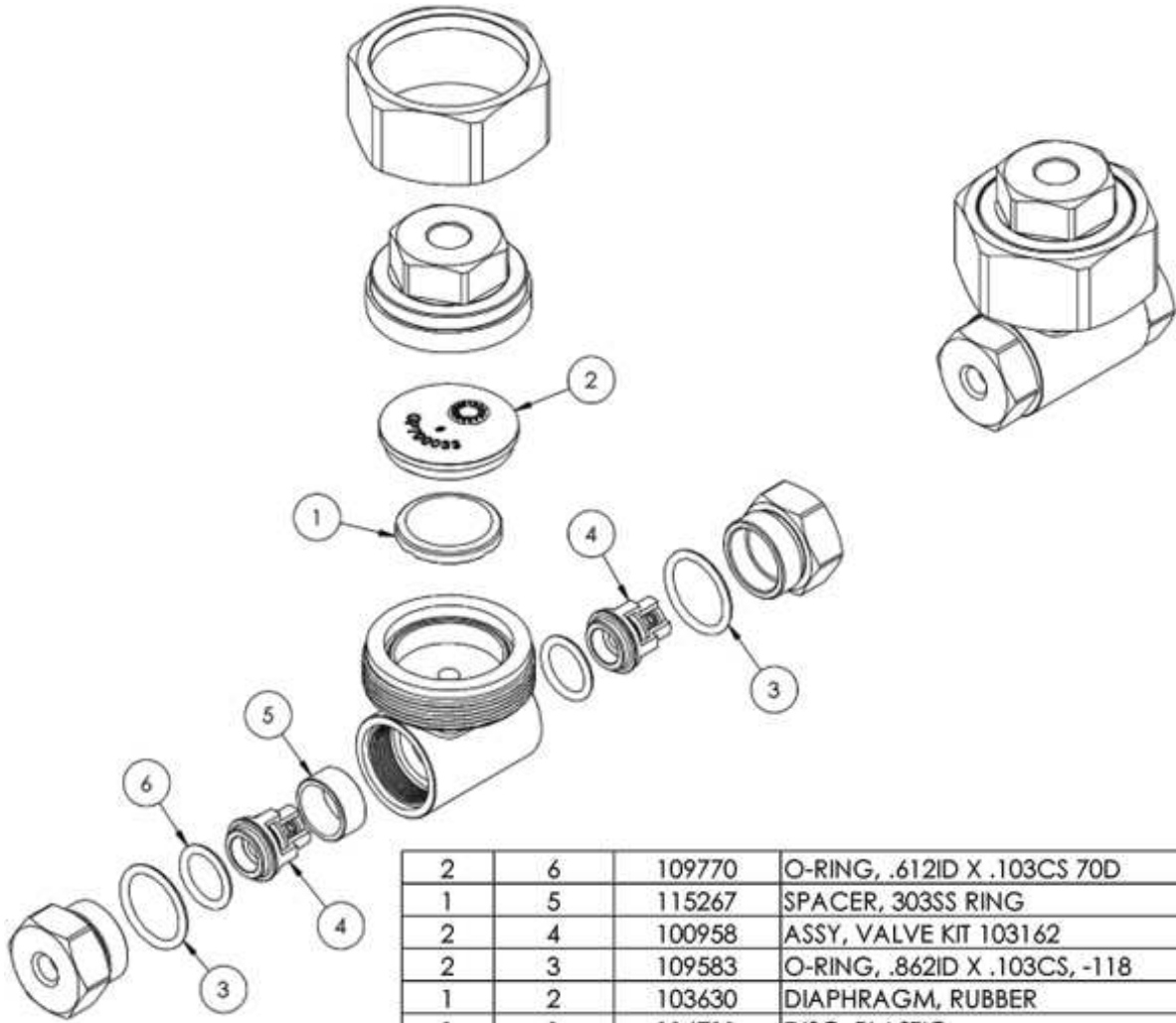
1	25	116855	WELDMENT, PRESSURE PUMP ADJUST
4	24	124460	WASHER, FLAT 5/16 SAE ZINC
1	23	120150	WASHER, FLAT 3/8 USS
1	22	113977	TEE, 3/8 FNPT X NPT X FNPT BRASS
1	21	119682	STRAINER, 1/2 WYE BRASS
4	20	125699	SCREW, MACH M8-1.25 X 25MM HXHD G8.8 ZP
1	19	112849	PLUG, 1/4 JIC BRASS
1	18	110232	PLATE, GEN HTX1813S SHIM .060 THK
1	17	125067	NUT, 3/8-16 ZP
1	16	109509	NIPPLE, HEX 3-8 NPT SS
1	15	118365	NIP, 1/2 IN HEX BRASS
11 IN	14	110273	LOOM, HI HEAT .250 DIA. BLACK
4	13	126570	LKWSR, 5/16 ZINC
1	12	117805	KIT, GP PUMP 370A LEGEND PEAK
1	11	107413	HOSE ASSEMBLY, 3/16 ID X 04 FJIC X 04 FJIC X 5.0 L
1	10	106615	FTTG, 1/4 BSPP X 1/4 JIC STEEL
1	9	105363	FTTG, BARB 1/8 P X 5/16 H BR
1	8	104994	ELL, 3/8 NPT X 1/2 JIC 45 DEG BRASS
1	7	104394	ELL, 1/8 NPT X 1/4 JIC SS
1	6	105075	ELL, 1/2P X 5/8H 45 DEG BRASS
1	5	116271	ELL, STREET 1/8 IN BRASS
1	4	103354	COUPLING, 3/8 NPT BRASS
1	3	103120	CONN, 3/8 NPT X 1/2 JIC BRASS
1	2	102835	CONN, BULLET MALE 14-16 GA
1	1	124815	BOLT, TAP .38-16 X 3.00 GR 5
QTY	ITEM	PART NO.	DESCRIPTION

SECTION FIVE: SPARE PARTS AND REFERENCE DOCUMENTS
117805 PRESSURE PUMP COMPONENTS



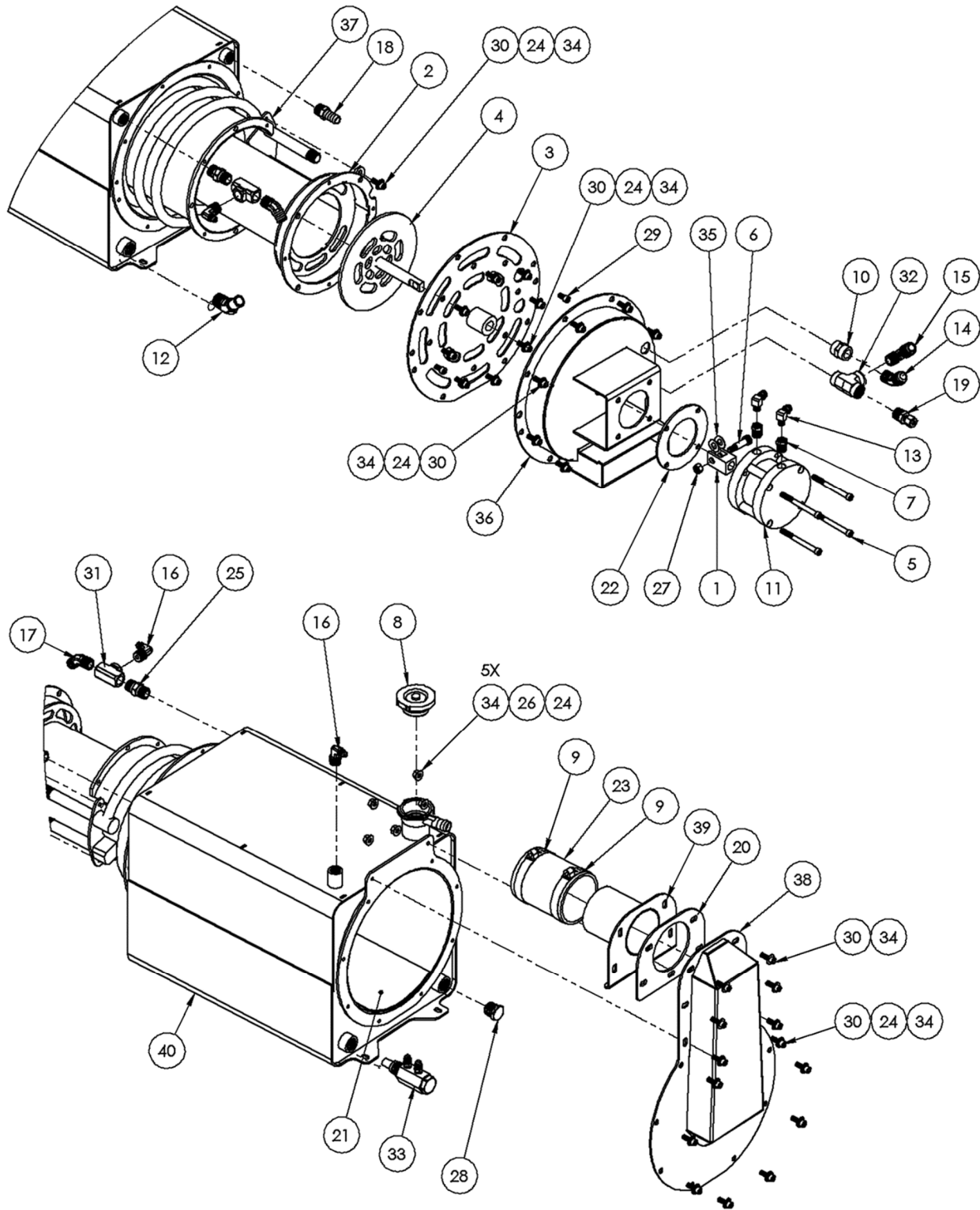
1	3	119110	PUMP, WATER GENERAL HTX1813S
1	2	119114	PUMP, CHEMICAL GENERAL 100906
1	1	101624	ADAPTER, 63(TX) PUMP SERIES
QTY	ITEM	PART NO.	DESCRIPTION

SECTION FIVE: SPARE PARTS AND REFERENCE DOCUMENTS
119114 CHEMICAL PUMP ASSEMBLY (GENERAL 100906)



2	6	109770	O-RING, .612ID X .103CS 70D
1	5	115267	SPACER, 303SS RING
2	4	100958	ASSY, VALVE KIT 103162
2	3	109583	O-RING, .862ID X .103CS, -118
1	2	103630	DIAPHRAGM, RUBBER
1	1	114711	DISC, PLASTIC
QTY	ITEM NO.	PART NO.	DESCRIPTION

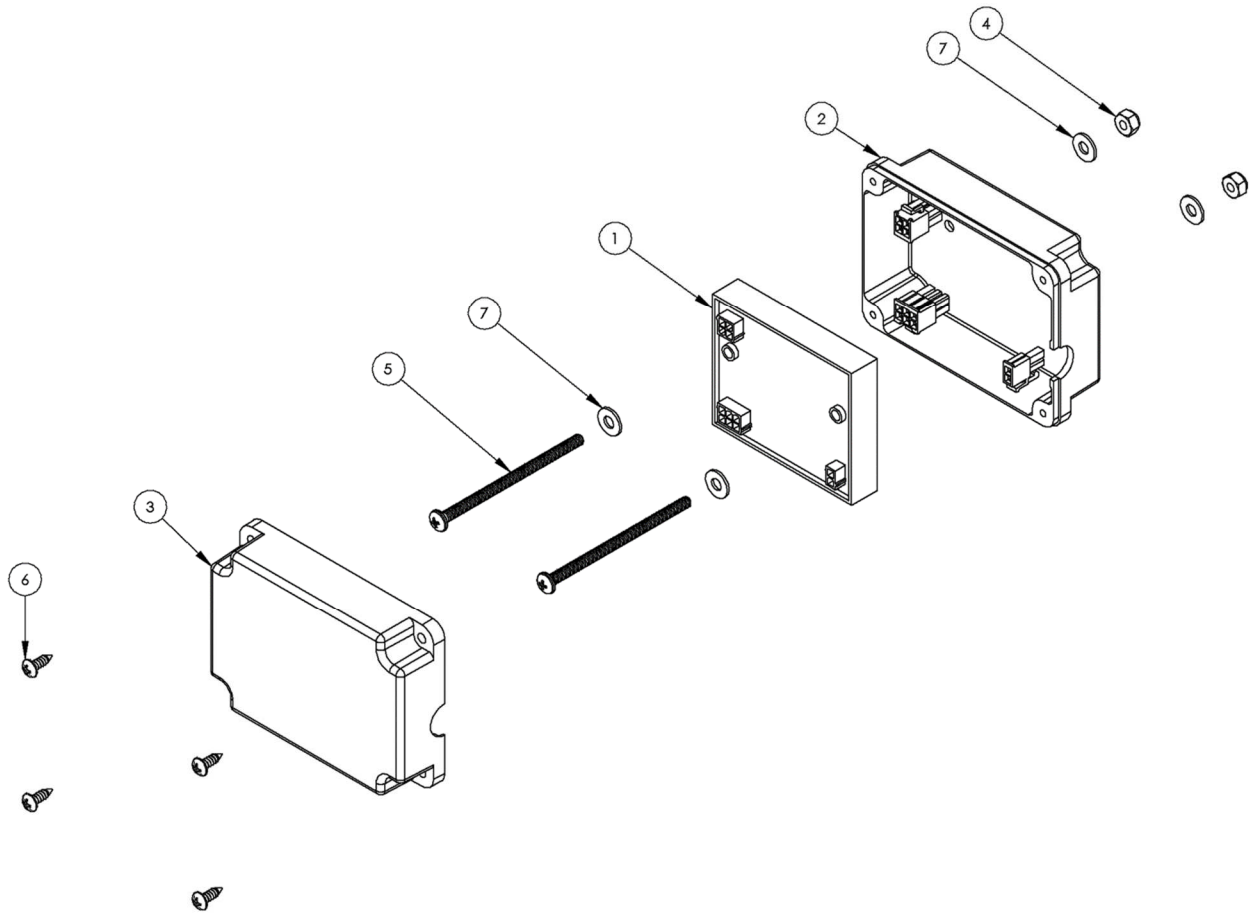
SECTION FIVE: SPARE PARTS AND REFERENCE DOCUMENTS
100803 EXHAUST HEAT EXCHANGER ASSEMBLY



SECTION FIVE: SPARE PARTS AND REFERENCE DOCUMENTS
100803 EXHAUST HEAT EXCHANGER ASSEMBLY BOM TABLE

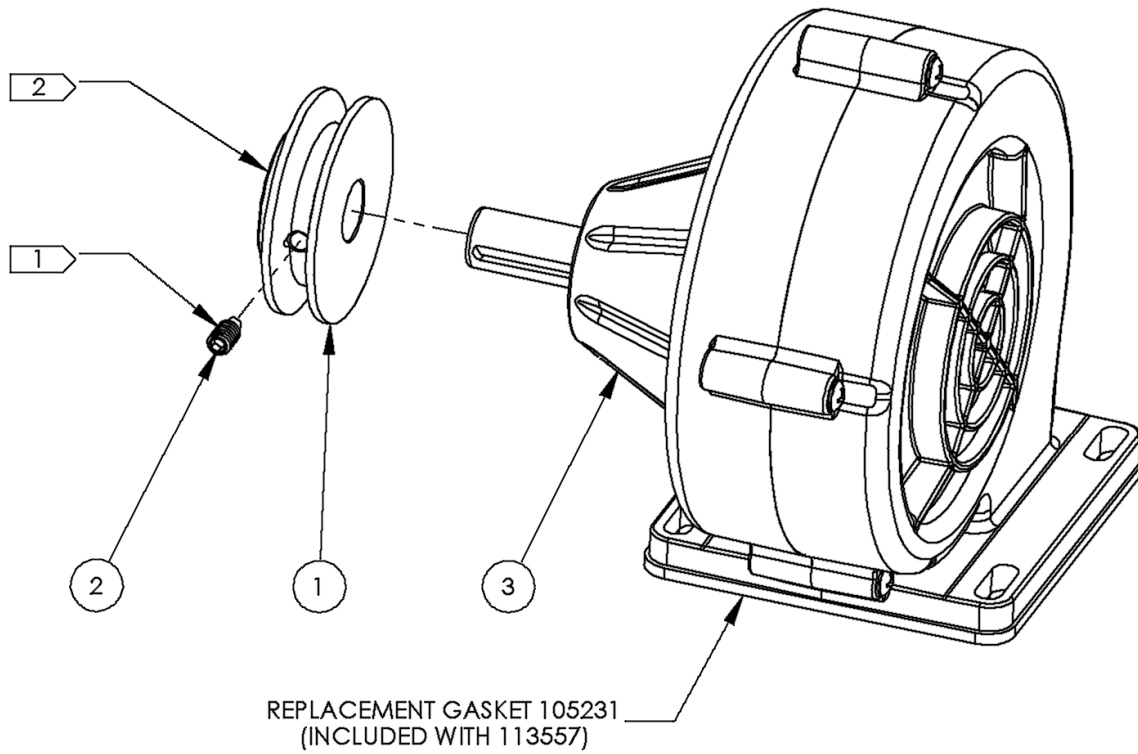
1	40	117073	WMT, WATER BOX 2PC WRAPPER
1	39	115511	WELDMENT, INLET ADAPTER TUBE
1	38	116846	WELDMENT, INLET ADAPTER
1	37	102196	WELDMENT, FINNED TUBE COIL
1	36	100705	WELDMENT, DIVERTER COVER
2	35	116632	WASHER, FLAT, .38 X .812 X .03 PTFE (95630A245)
37	34	116630	WASHER, FLAT 1/4 SS ANC
1	33	114884	VALVE, 165 DEG THERMAL RELIEF VENT
1	32	119798	TEE, 3/8 NPT HI PRESSURE BRASS
1	31	119797	TEE, 3/8 NPT BRASS
32	30	112703	SCREW, MACH 1/4-20X3/4 SS SOCH
2	29	114546	SCREW, MACH 1/4-20X1/2 SOCHDSS
1	28	110675	PLUG, 1/2 NTP SOLID BRASS HXHD
1	27	118418	NUT, 5/16-18 TOPLOCK GRC Z
5	26	111379	NUT, 1/4-20 SS
1	25	118366	NIP, 3/8 IN HEX BRASS
33	24	118145	LKWSR, 1/4 IN SS
1	23	105842	HOSE, 3.0 IN ID X 3FT SILICONE 550F
1	22	105564	GASKET, DIVERTER CYLINDER
1	21	117158	GASKET, 5-13/16 X 17 X .062 SILICONE SHT W/PSA
1	20	105547	GASKET, INLET ADAPTER 5 BOLT
1	19	117102	FTTG, 3/8 NPT X 1/4 COMPRESSION SS
1	18	117123	FTTG, BRB 3/8 P X 1/2 H BRASS
1	17	117120	FTTG, BARB 45 DEG 3/8P X 5/8H
2	16	104397	ELL, 3/8 P X 1/4 T BRASS
1	15	104995	ELL, 3/8 P X 1/2 T BRASS
1	14	104994	ELL, 3/8 NPT X 1/2 JIC 45 DEG BRASS
2	13	104073	ELL, 1/8 NPT X 1/4 POLY BRASS
1	12	105075	ELL, 1/2P X 5/8H 45 DEG BRASS
1	11	102387	CYLINDER, AIR, BIMBA FO-701.5-CMTV
1	10	103354	COUPLING, 3/8 NPT BRASS
2	9	103604	CLAMP, HOSE #48 SS
1	8	109191	CAP, RADIATOR 23LB
2	7	102096	BUSHING, 1/4 M X 1/8 F BRASS
1	6	107647	BOLT, 3/8 X 7/8 SHOULDER 5/16-18 THD
4	5	101450	BOLT, 1/4-20 X 3 SHCS
1	4	100345	ASSEMBLY, DIVERTER PLATE
1	3	100706	ASSEMBLY, DIVERTER HOUSING PLATE
1	2	102193	ASSEMBLY, DIVERTER CHAMBER
1	1	103670	.875 SQ CLEVIS WITH 5/8-11 THREAD
QTY	ITEM	PART NO.	DESCRIPTION

SECTION FIVE: SPARE PARTS AND REFERENCE DOCUMENTS
100604 TEMPERATURE CONTROL MODULE ASSEMBLY



4	7	123609	WASHER, FLAT #10 SAE ZP
4	6	126262	SCREW, SHEET METAL #8-15 X 1/2 PPH ZP
2	5	127110	SCREW, MACH 10-32 X 3-1/4 PHP ZP
2	4	123603	NUT, 10-32 NYLON
1	3	108628	MOLDING, TEMP CNTL BOX LID
1	2	108627	MOLDING, TEMP CNTL BOX BOTTOM
1	1	109311	MODULE, TEMP CONTROL
QTY	ITEM	PART NO.	DESCRIPTION

SECTION FIVE: SPARE PARTS AND REFERENCE DOCUMENTS
103024 BELT GUARD BLOWER ASSEMBLY

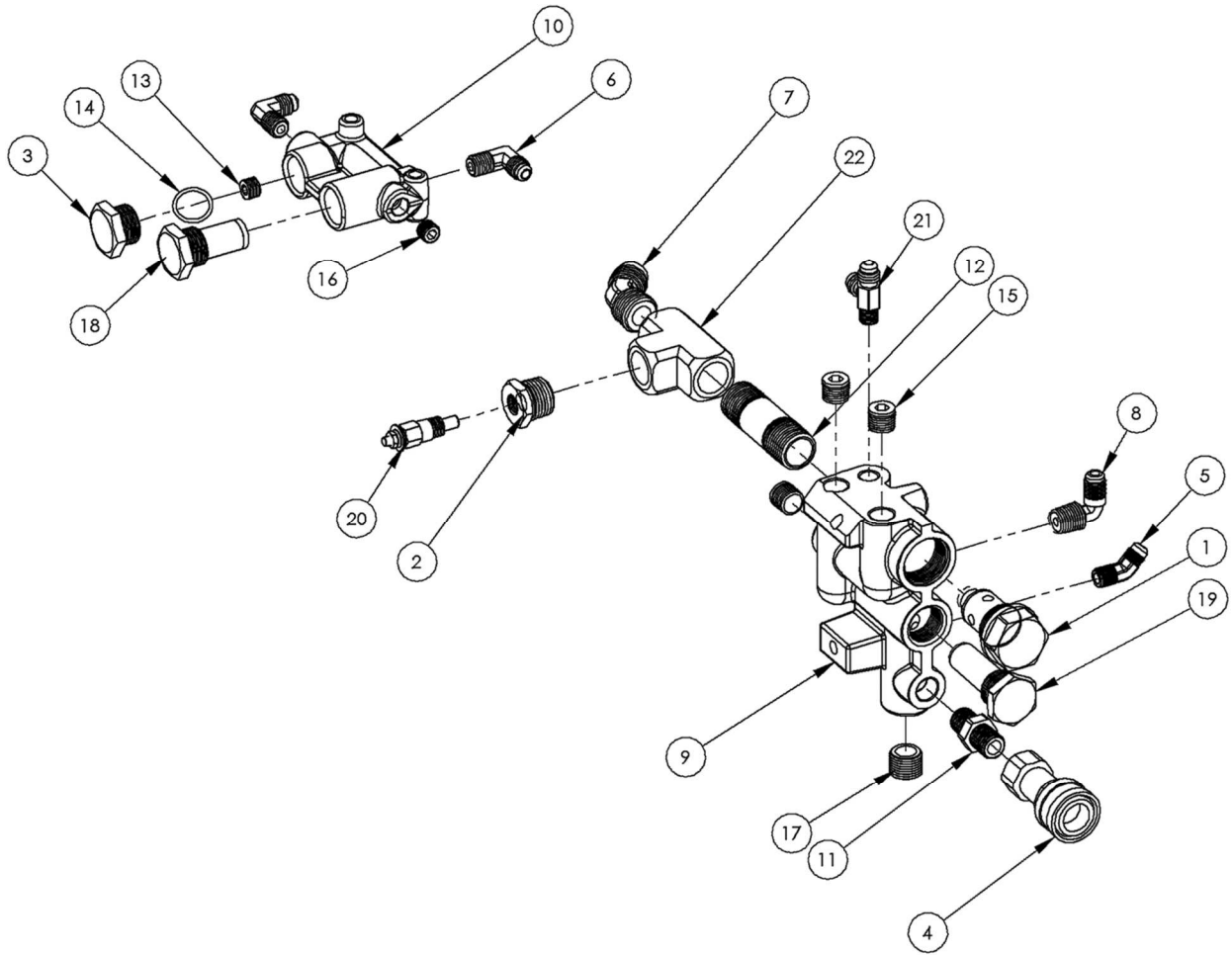


NOTES:

- 1. APPLY BLUE (TEMPORARY) THREAD LOCKING COMPOUND TO SET SCREW THREADS. TIGHTEN SET SCREWS AFTER ALIGNING THE BELT GROOVE WITH THE ENGINE DRIVE PULLEY GROOVE
- 2. PULLEY ORIENTATION MAY BE REVERSED TO PROVIDE CLEARANCE IN NEXT ASSEMBLY

1	3	113557	SUBASSY, BELT GUARD BLOWER
1	2	112462	SCREW, FULL DOG SET 1/4-20 X 1/2 BLK
1	1	111421	PULLEY, 3L BELT X 2.340 OD
QTY	ITEM	PART NO.	DESCRIPTION

SECTION FIVE: SPARE PARTS AND REFERENCE DOCUMENTS
100348 SOLUTION & BYPASS MANIFOLD ASSEMBLY

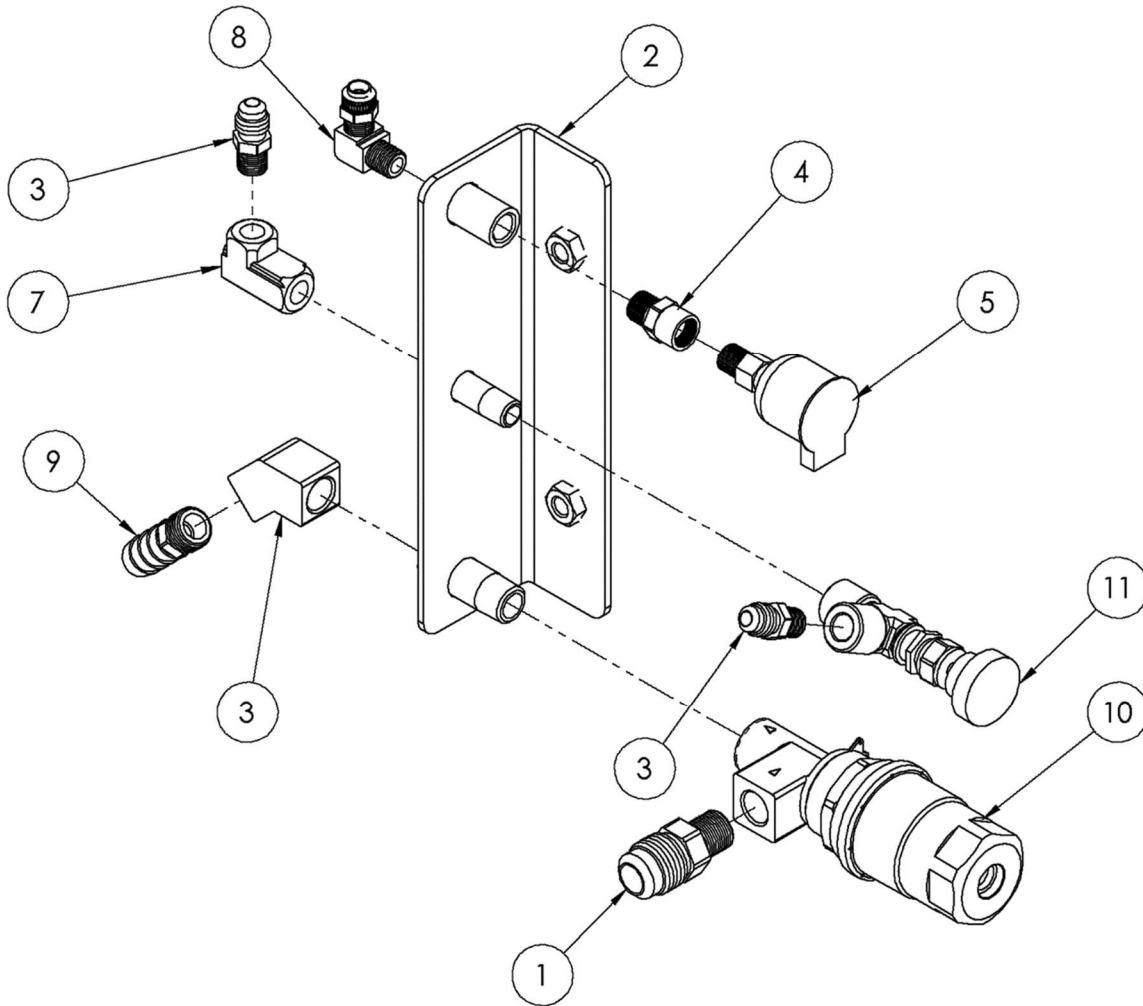


APPLY PIPE SEALANT TO ALL PIPE THREADS BEFORE ASSEMBLY

SECTION FIVE: SPARE PARTS AND REFERENCE DOCUMENTS
100348 SOLUTION & BYPASS MANIFOLD ASSEMBLY BOM TABLE

1	22	115903	TEE, 1/2 NPT BRASS
1	21	119800	TEE, RUN 1/8 NPT X 1/4 JIC X 1/4 JIC BRASS
1	20	112647	SENSOR, TEMP, 140-320 DEGREE
1	19	112493	SCREEN, CHECK VALVE MANIFOLD
1	18	119375	SCREEN, BYPASS MANIFOLD
1	17	110903	PLUG, 3/8 NPT BRASS
1	16	112852	PLUG, 1/8 NPT SOCKET HD BRASS
3	15	112848	PLUG, 1/4 NPT BRASS
1	14	109570	ORING, .676 ID .816 OD
1	13	109566	ORFICE, BYPASS MANIFOLD, .024 RED
1	12	111229	NIPPLE, 1/2 NPT X 2-1/2L 304SS
1	11	108790	NIP, 1/4 HEX BRASS
1	10	118163	MANIFOLD, BYPASS
1	9	108193	MANIFOLD BLOCK
1	8	104989	ELL, 1/4 P X 1/4 T BRASS
1	7	104987	ELL, 1/2 NPT X 1/2 JIC 45 DEG BRASS
2	6	104192	ELL, 1-8P X 1/4 T BRASS
1	5	104191	ELL, 1-8 P X 1/4 T 45 DEG BRASS
1	4	116078	DSC, 1/4F X 1/4FP BRASS
1	3	109488	CAP, CHECK VALVE
1	2	103279	BUSHING, 1/2 NPT X 1/8 FNPT BRASS
1	1	102878	ASSY, CHECK VALVE
QTY	ITEM	PART NO.	DESCRIPTION

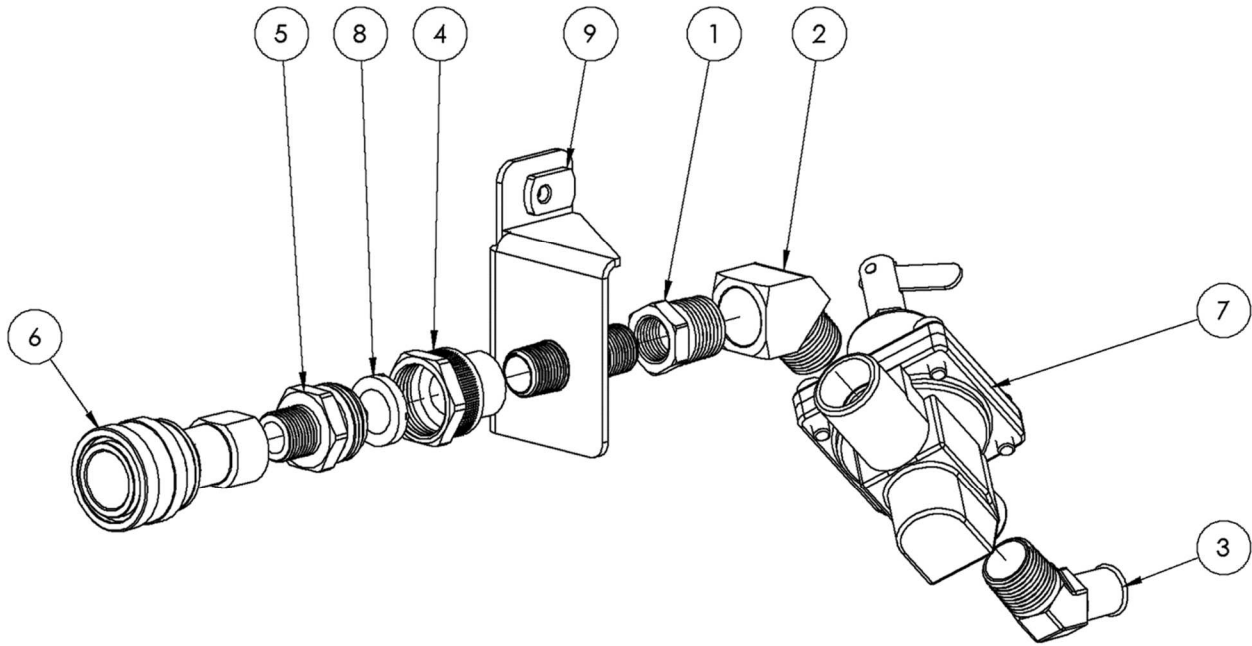
SECTION FIVE: SPARE PARTS AND REFERENCE DOCUMENTS
100703 PRESSURE REGULATOR & BYPASS VALVE ASSEMBLY



APPLY PIPE SEALANT TO ALL PIPE THREADS BEFORE ASSEMBLY

1	11	114691	VLV, MET 1/8 FP (CHEM) RT ANG SS
1	10	111843	REGULATOR, 1/4 NPT SUTTNER
1	9	104732	FITTING, 1/4 NPT X 1/2 H BRB BRASS
1	8	104073	ELL, 1/8 NPT X 1/4 POLY BRASS
1	7	103959	ELL, 1/8 FNPT X 1/8 FNPT BRASS
1	3	116267	ELL, 1/4 FP X 45 DEG BRASS
1	5	104254	CUP, OILFILL, 1/8 NPT
1	4	103065	COUPLING, 1/8 FNPT X 1/8 MNPT BRASS
2	3	103760	CONN, 1/8 P X 1/4 T BR
1	2	102433	ASSY, BRACKET REGULATOR MTG
1	1	100101	ADAPTER, 1/4 MNPT X 1/2 MJIC BRASS
QTY	ITEM	PART NO.	DESCRIPTION

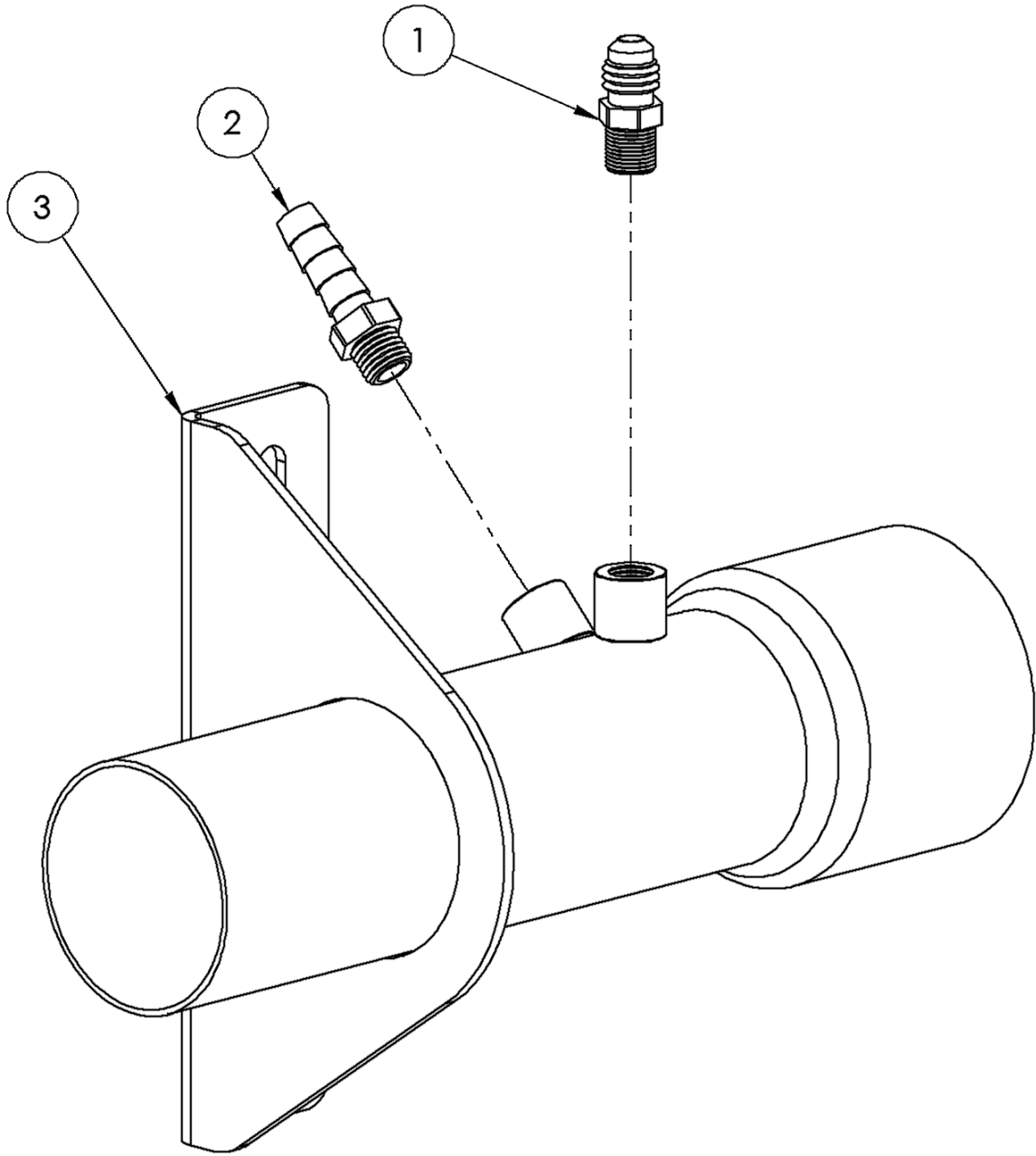
SECTION FIVE: SPARE PARTS AND REFERENCE DOCUMENTS
101004 WATER INLET BRACKET ASSEMBLY



APPLY PIPE SEALANT TO ALL PIPE THREADS BEFORE ASSEMBLY

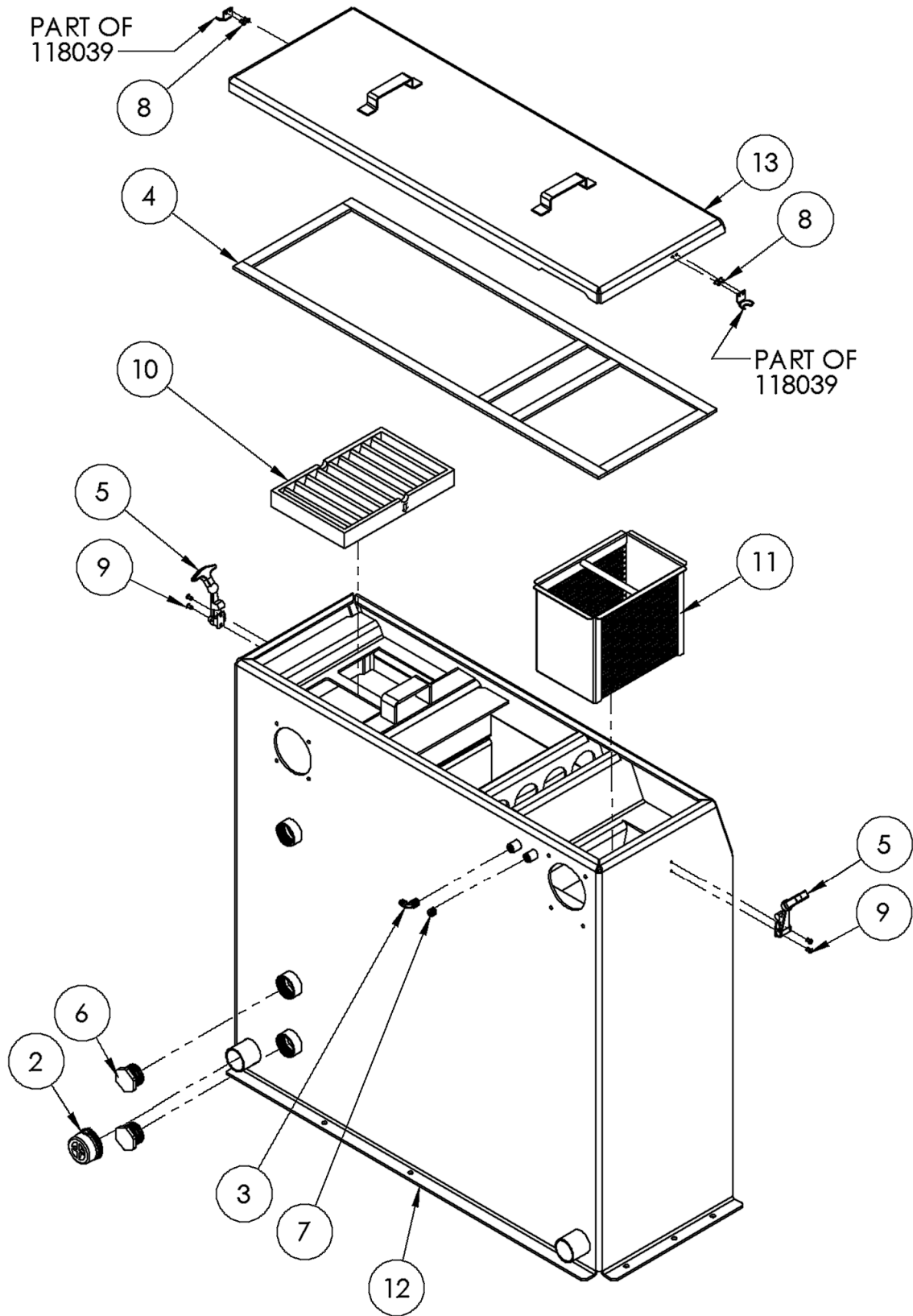
1	9	115313	WELDMENT, BRACKET QD MTG
1	8	112494	SCREEN, GRDN HOSE
1	7	119211	REGULATOR, 10-25 PSI 1/2 NPT
1	6	103866	QUICK COUPLING, 3/8 F X 3/8 FNPT BRASS
1	5	105284	FTTG, 3/8 NPT X M GRDN HOSE
1	4	106617	FTTG, 3/8 FNPT X F GRDN HOSE
1	3	105075	ELL, 1/2P X 5/8H 45 DEG BRASS
1	2	104079	ELL 1/2 NPT, 45 DEG BRASS
1	1	102098	BUSHING, 1/2 NPT X 3/8 NPT HEX BRASS
QTY	ITEM	PART NO.	DESCRIPTION

SECTION FIVE: SPARE PARTS AND REFERENCE DOCUMENTS
100371 VACUUM INLET BRACKET ASSEMBLY



1	3	114941	WELDMNT, 2 IN VACUUM BRKT
1	2	105363	FTTG, BARB 1/8 P X 5/16 H BR
1	1	103760	CONN, 1/8 P X 1/4 T BR
QTY	ITEM	PART NO.	DESCRIPTION

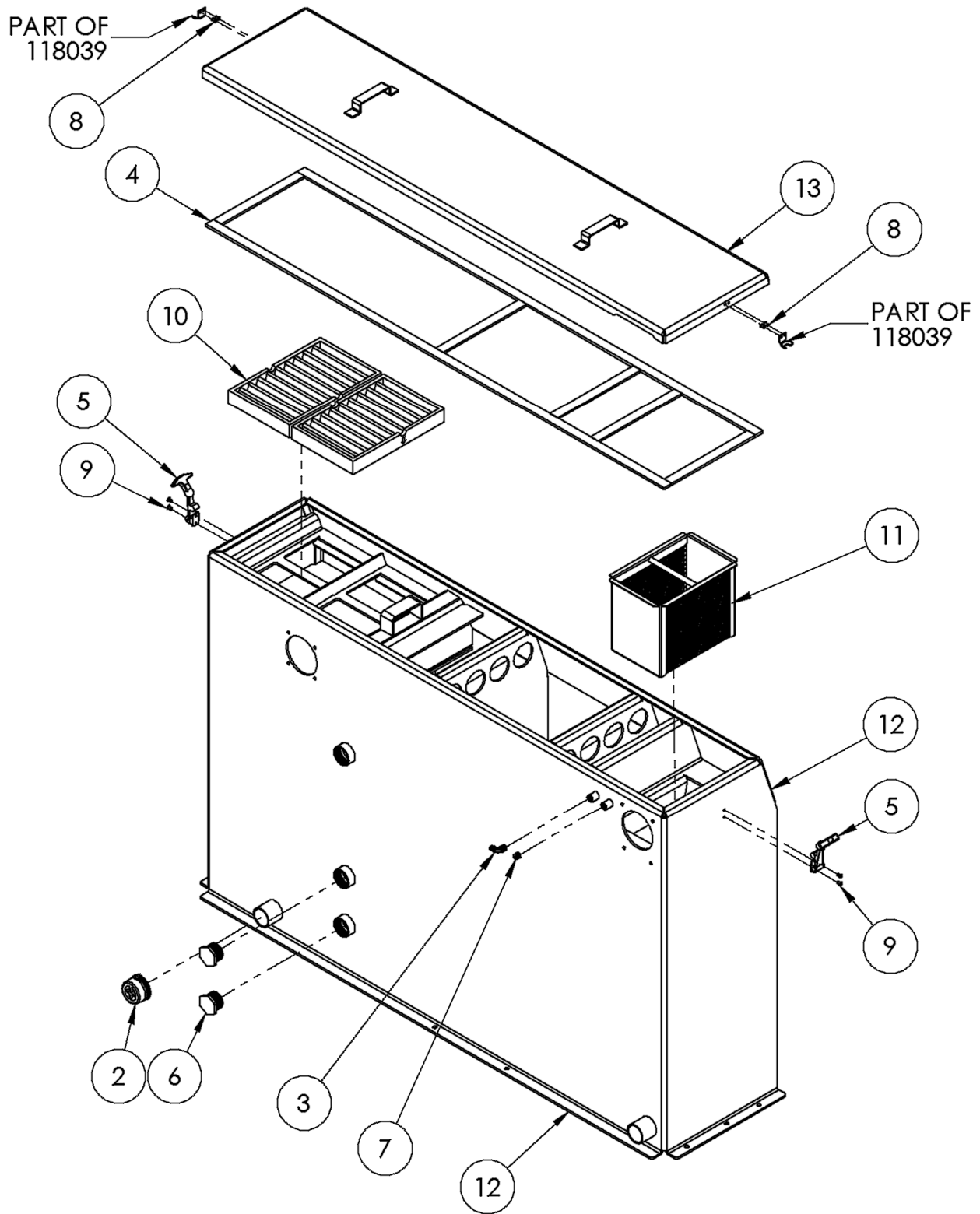
SECTION FIVE: SPARE PARTS AND REFERENCE DOCUMENTS
101143 90 GALLON WASTE TANK ASSEMBLY



SECTION FIVE: SPARE PARTS AND REFERENCE DOCUMENTS
101143 90 GALLON WASTE TANK ASSEMBLY BOM TABLE

1	13	116903	WELDMENT, WASTE TANK LID 90 GAL
1	12	126873	WELDMENT, WASTE TANK 90 GAL
1	11	101458	WELDMENT, STRAINER BASKET
1	10	113537	STRAINER, WASTE TANK RECT
4	9	126829	RIVET, SS 3/16 X 1/2 SHORT
4	8	119275	RIVET, SS 3/16 LONG
1	7	112848	PLUG, 1/4 NPT BRASS
2	6	110948	PLUG, 1-1/4 IN PVC
2	5	118039	LATCH, PRE-FILTER BOX
124 IN	4	122932	GASKET, SPONGE 1 IN X 45 FT
1	3	104989	ELL, 1/4 P X 1/4 T BRASS
1	2	102484	CAP, 1.5 IN (2.0 ID) RUBBER
.34	1	100080	ADHESIVE, GASKET BOSTIK 1100 10.1 OZ TUBE
QTY	ITEM	PART NO.	DESCRIPTION

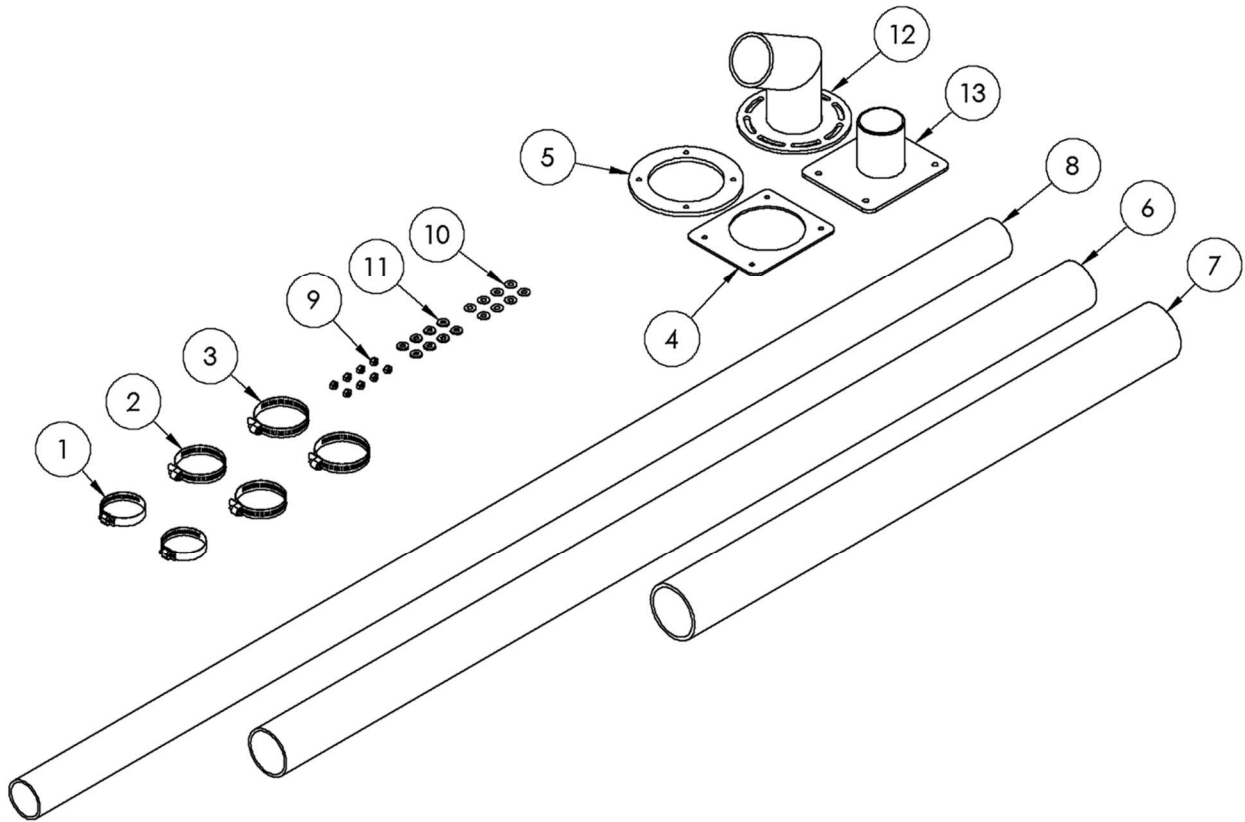
SECTION FIVE: SPARE PARTS AND REFERENCE DOCUMENTS
100860 120 GALLON WASTE TANK ASSEMBLY



SECTION FIVE: SPARE PARTS AND REFERENCE DOCUMENTS
100860 120 GALLON WASTE TANK ASSEMBLY BOM TABLE

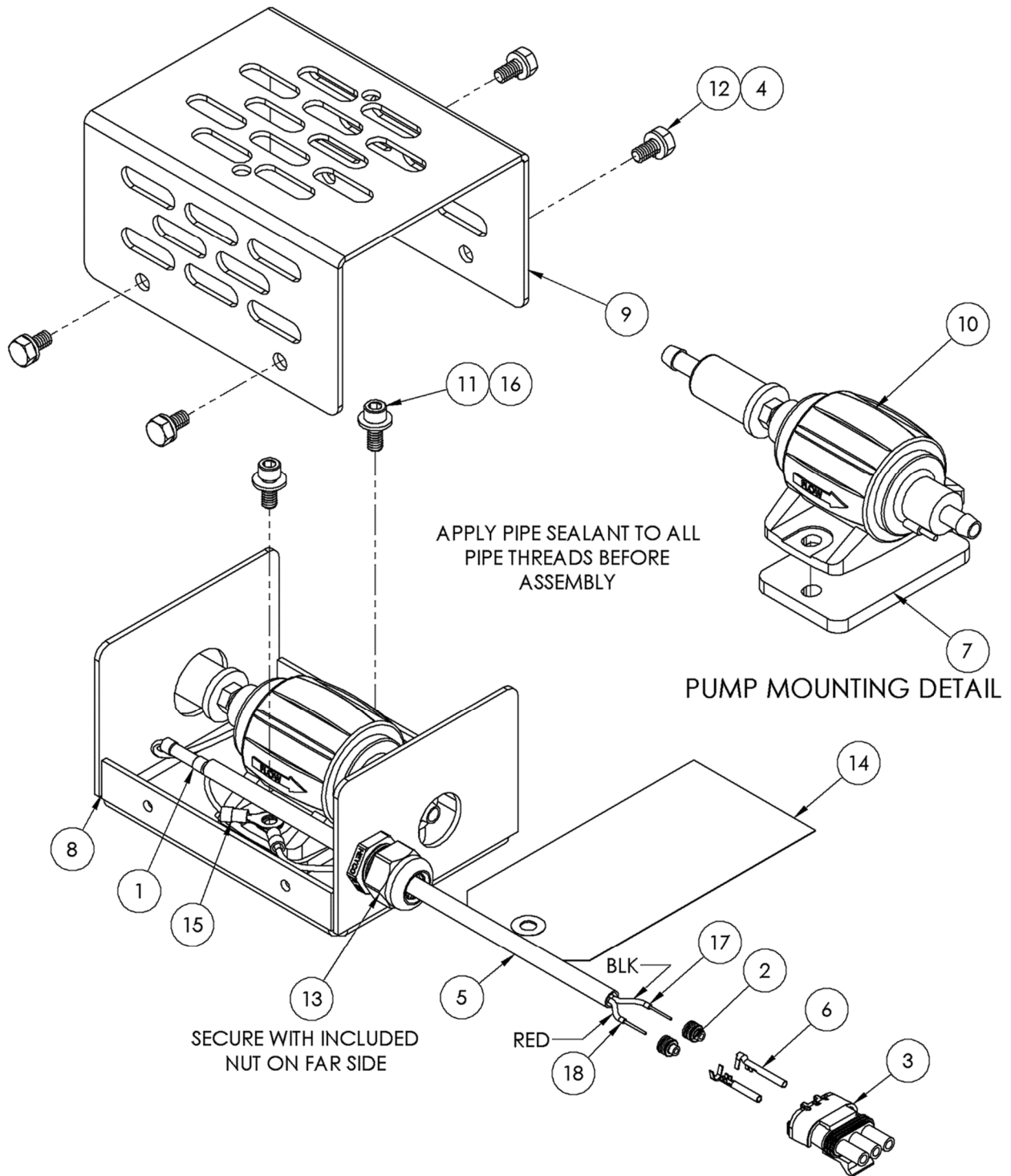
1	13	115689	WELDMENT, WASTE TANK LID 120 GAL
1	12	116901	WELDMENT, WASTE TANK 120 GAL
1	11	101458	WELDMENT, STRAINER BASKET
2	10	113537	STRAINER, WASTE TANK RECT
4	9	126829	RIVET, SS 3/16 X 1/2 SHORT
4	8	119275	RIVET, SS 3/16 LONG
1	7	112848	PLUG, 1/4 NPT BRASS
2	6	110948	PLUG, 1-1/4 IN PVC
2	5	118039	LATCH, PRE-FILTER BOX
175 IN	4	122932	GASKET, SPONGE 1 IN X 45 FT
1	3	104989	ELL, 1/4 P X 1/4 T BRASS
1	2	102484	CAP, 1.5 IN (2.0 ID) RUBBER
.34	1	100080	ADHESIVE, GASKET BOSTIK 1100 10.1 OZ TUBE
QTY	ITEM	PART NO.	DESCRIPTION

SECTION FIVE: SPARE PARTS AND REFERENCE DOCUMENTS
107110 KIT WASTE TANK HOSES & PORTS



1	13	115224	WELDMENT, 2.50 VAC INLET
1	12	116659	WELDMENT, 2-7/8 VAC OUTLET
8	11	126813	WASHER, SEALING 1/4 GALV
8	10	116630	WASHER, FLAT 1/4 SS ANC
8	9	126827	NUT, 10-24 NYLOK SS
1	8	106362	HOSE, INT VACUUM 2 IN X 6 FT
1	7	121752	HOSE, INT VAC 2-7/8 X 36 IN
1	6	107603	HOSE, INT VAC 2-1/2 X 60 IN
1	5	105558	GASKET, VAC OUTLET
1	4	105557	GASKET, VAC INLET LG
2	3	103604	CLAMP, HOSE #48 SS
2	2	102870	CLAMP, HOSE #40 SS
2	1	103602	CLAMP, HOSE #32
QTY	ITEM	PART NO.	DESCRIPTION

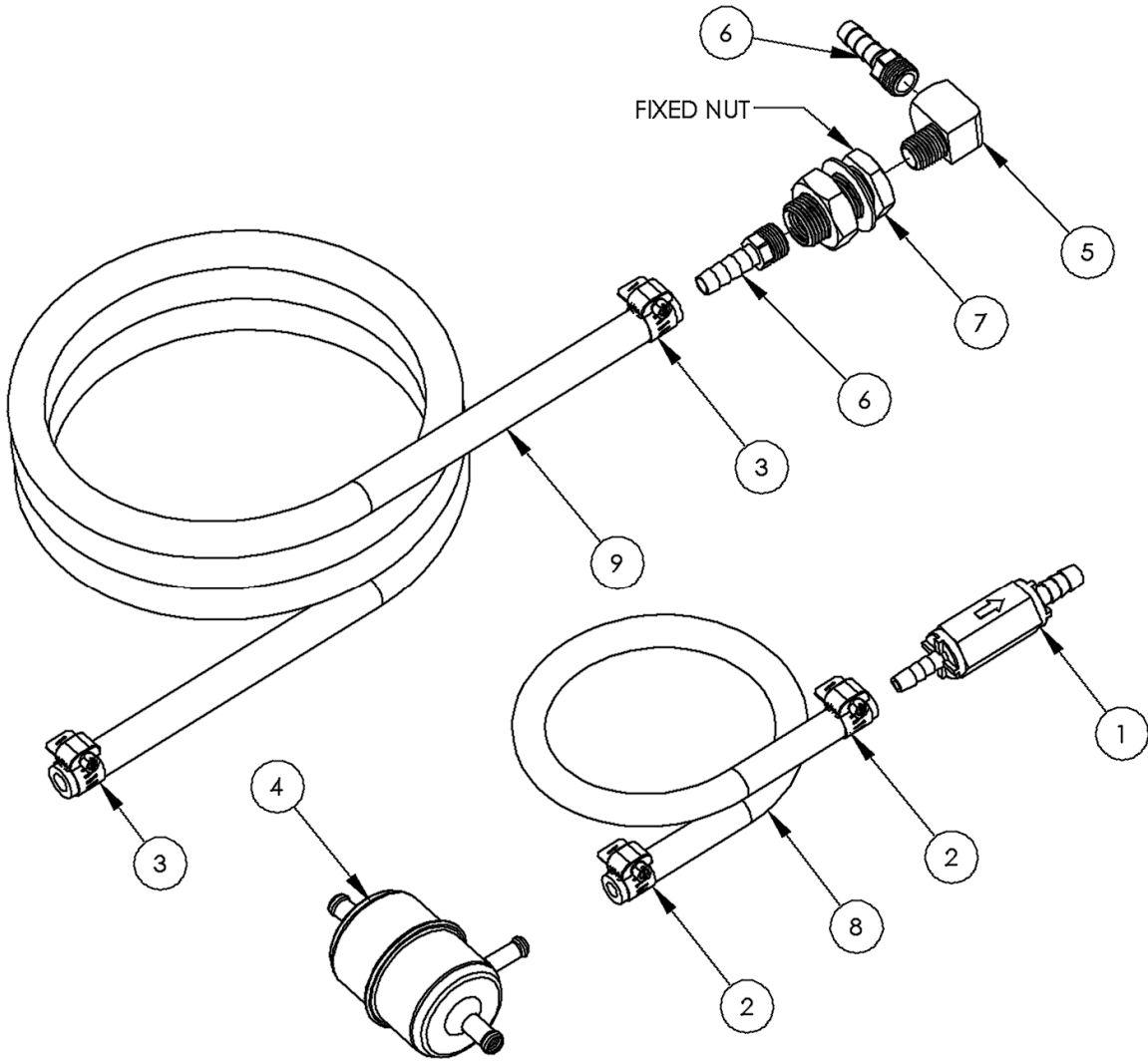
SECTION FIVE: SPARE PARTS AND REFERENCE DOCUMENTS
104947 FUEL PUMP & HOUSING ASSEMBLY



SECTION FIVE: SPARE PARTS AND REFERENCE DOCUMENTS
104947 FUEL PUMP & HOUSING ASSEMBLY BOM TABLE

10 IN	18	115858	WIRE, 14 GA SXL RED
10 IN	17	116979	WIRE, 14 GA SXL BLK
2	16	124468	WASHER, FLAT #12 SAE
2	15	119817	TERM, RING 14-16 GA. 1/4 BLUE
1	14	126417	TAG, RED FUEL PUMP KIT
1	13	119677	STRAIN RELIEF - LIQUID TIGHT .170-..470
4	12	124614	SCREW,MACH 1/4-20 X 1/2 HXHD ZPS
2	11	124907	SCREW, 1/4-20 x 5/8 SHCS 18-8 SS
1	10	124909	PUMP, FUEL EDELBROCK
1	9	110734	PNL, BOX TOP FUEL PUMP
1	8	112990	PNL, BOX BOTTOM FUEL PUMP
1	7	124906	PLT, FUEL PUMP MTG
2	6	110061	PIN, FEMALE # 31035 WAYTEK
8 IN	5	110273	LOOM, HI HEAT .250 DIA. BLACK
4	4	124461	LKWSR, 1/4 ZINC
1	3	110782	CONN, 3 PRG 1/2 TWR #38045 WAYTEK
2	2	103767	CONN, SEAL # 39001 WAYTEK
1	1	102951	CONN, BUTT 14-16 GA
QTY	ITEM	PART NO.	DESCRIPTION

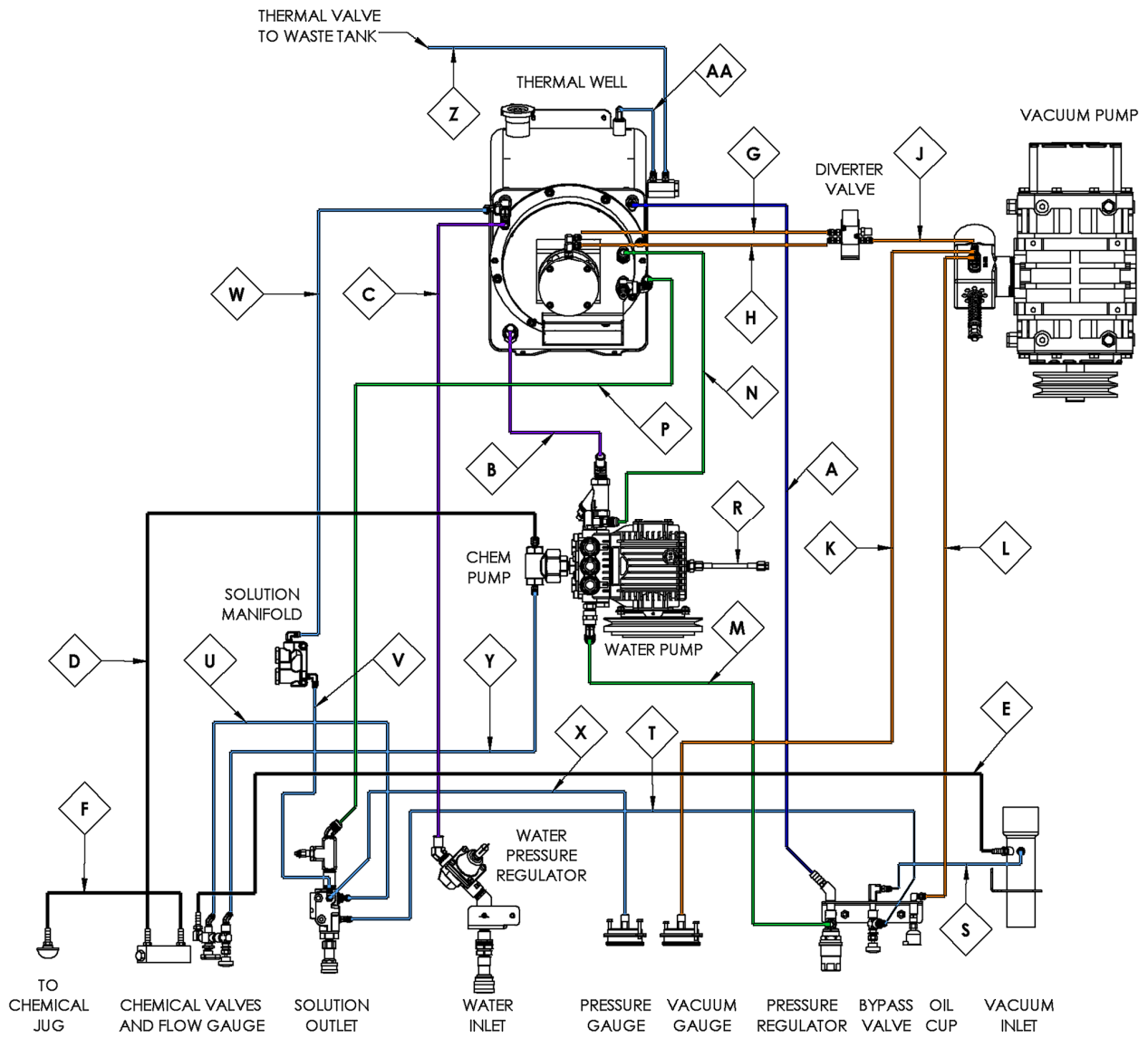
SECTION FIVE: SPARE PARTS AND REFERENCE DOCUMENTS
117803 KIT FUEL HOSE & FILTER



APPLY THREAD SEALANT TO ALL NPT THREAD

6 FT	9	105925	HOSE, FUEL 5/16 30R9 FUEL INJECTION
2 FT	8	117445	HOSE, FUEL 1/4 30R9 FUEL INJECTION
1	7	105088	FTTG, BULKHEAD 1/4 IN BRASS
2	6	106628	FTTG, BRB 1/4 P X 5/16 H BRASS
1	5	105000	FITTING - ELBOW 1/4 IN STREET BRASS
1	4	116744	FILTER,FUEL 5/16 W/ 1/4 RETURN
2	3	103663	CLAMP, HOSE #4
2	2	103663	CLAMP, HOSE #4
1	1	102759	CHECK VALVE, FUEL 5/16 X 1/4 POLY
QTY	ITEM	PART NO.	DESCRIPTION

SECTION FIVE: SPARE PARTS AND REFERENCE DOCUMENTS
107271 HOSE ROUTING DIAGRAM

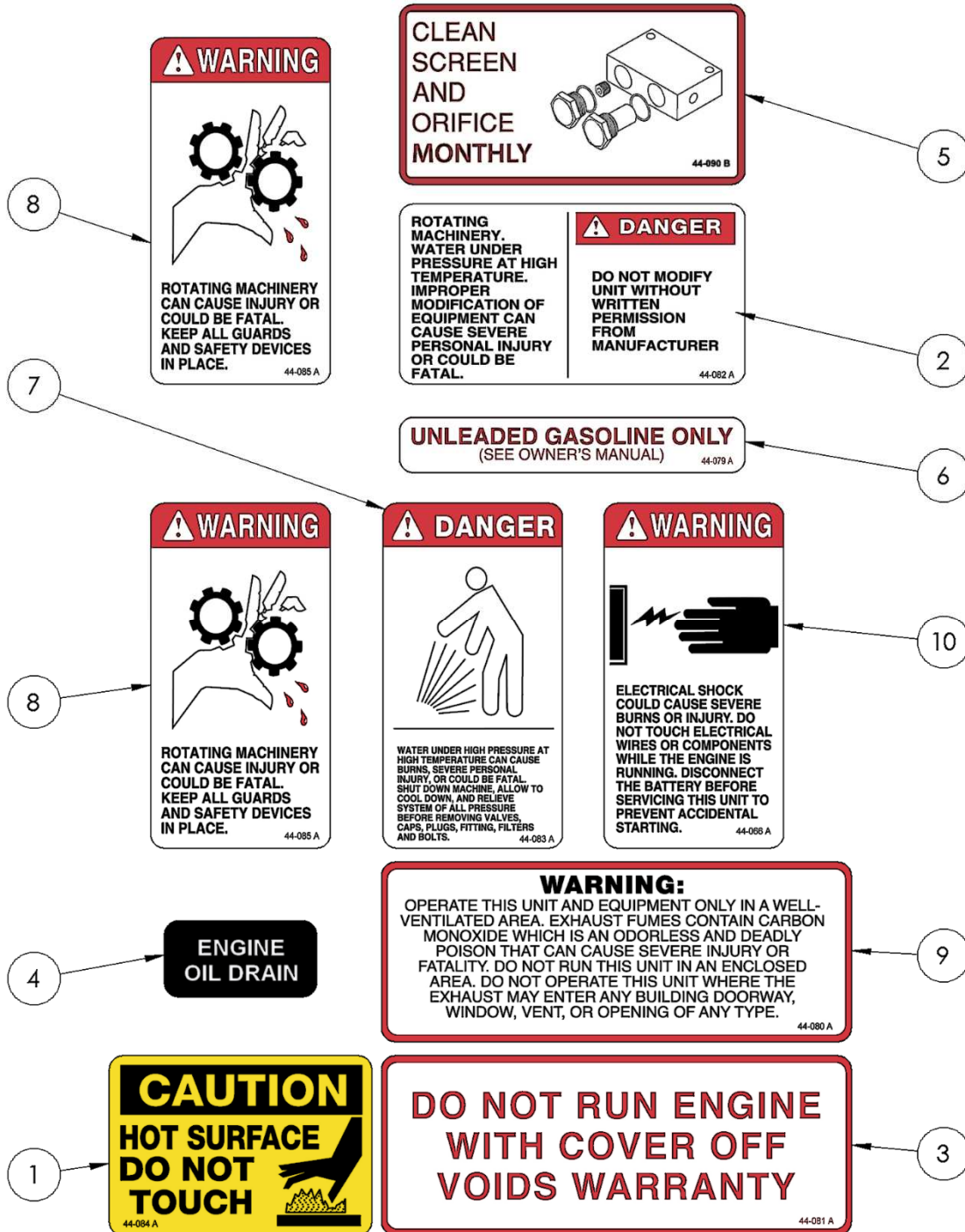


SECTION FIVE: SPARE PARTS AND REFERENCE DOCUMENTS
107271 HOSE ROUTING REFERENCE CHART

HOSE REFERENCE						
ID	PART NO.	LEGACY P/N	HOSE LENGTH (IN)	SLEEVE	SLEEVE LENGTH (IN)	CLAMPS
A	105828	16-003	19.5	N/A	N/A	102695 x2
B	106324	16-005	8	N/A	N/A	110211 X2
C	106324	16-005	19	N/A	N/A	110211 X2
D	117497	16-006	28	N/A	N/A	103663 X2
E	117497	16-006	28	N/A	N/A	103663 X2
F	117497	16-006	60	N/A	N/A	103663 X2
G	120018	16-017	44	N/A	N/A	N/A
H	120018	16-017	44	N/A	N/A	N/A
J	120018	16-017	39	N/A	N/A	N/A
K	120018	16-017	39	N/A	N/A	N/A
L	120018	16-017	58	N/A	N/A	N/A
M	124660	18-264-11	11	113135	9	N/A
N	124660	18-264-11	11	113135	9	N/A
P	124661	18-264-16	16	113135	14	N/A
R	107413	18-215-02	5	N/A	N/A	N/A
S	105732	18-215-03	8.5	N/A	N/A	N/A
T	105732	18-215-03	8.5	N/A	N/A	N/A
U	107410	18-215-05	12.5	N/A	N/A	N/A
V	105695	18-215-06	13.5	N/A	N/A	N/A
W	117365	18-215-07	14.75	N/A	N/A	N/A
X	105973	18-215-08	15.5	N/A	N/A	N/A
Y	105974	18-215-23	20	N/A	N/A	N/A
Z	117393	18-215-16	38	N/A	N/A	N/A
AA	105695	18-215-06	13.5	N/A	N/A	N/A

SECTION FIVE: SPARE PARTS AND REFERENCE DOCUMENTS
108614 KIT CONSOLE DECALS

The following warning labels are on your mobile cleaning unit. These labels point out important **WARNINGS** and **CAUTIONS**, which must be followed at **ALL** times. Failure to follow these warnings could result in injury or fatality to yourself and/or others or property damage. Please follow these instructions carefully! **DO NOT remove these decals and replace them when you see they are missing or damaged/unreadable.**

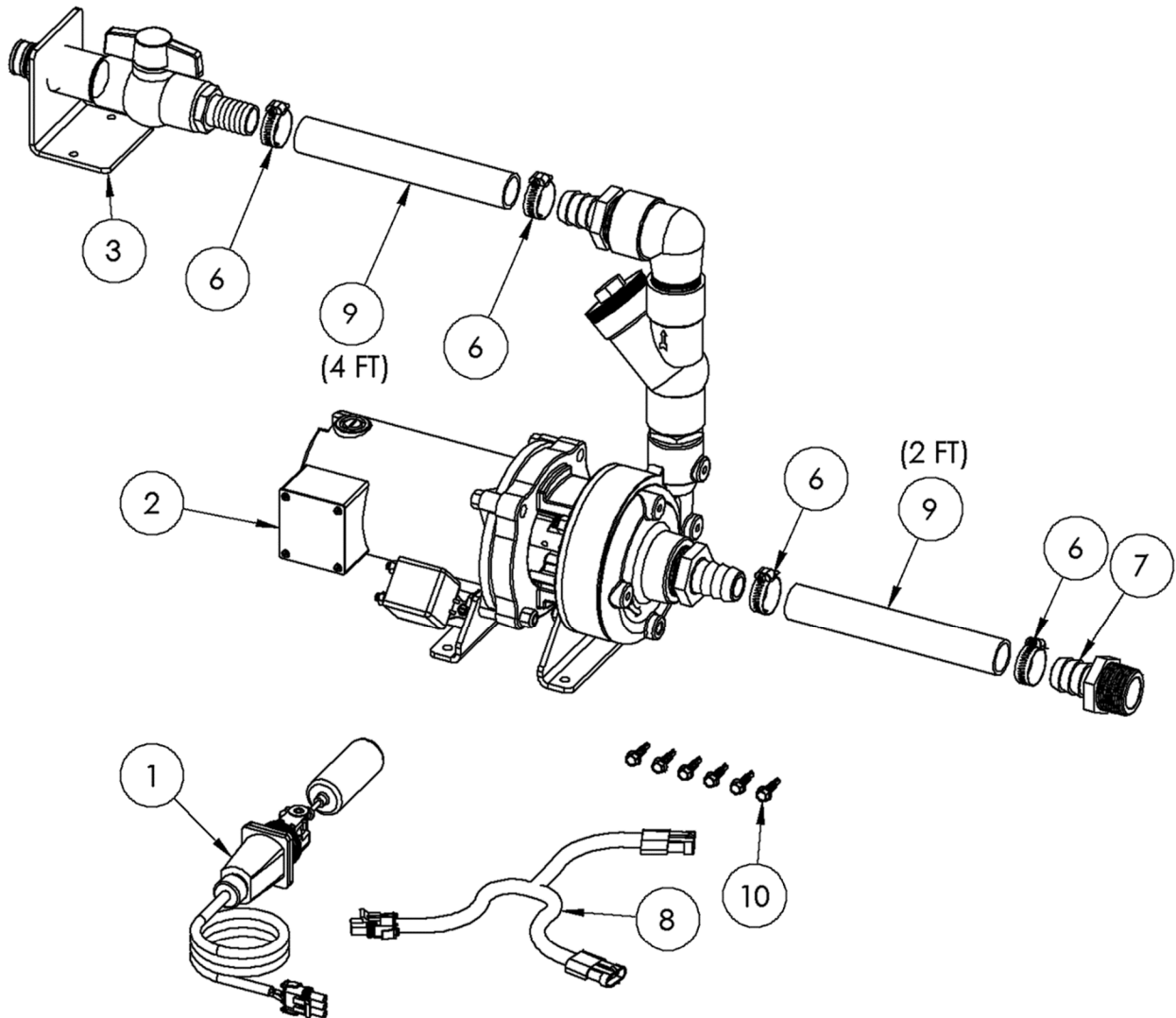


SECTION FIVE: SPARE PARTS AND REFERENCE DOCUMENTS
108614 KIT CONSOLE DECALS BOM TABLE

1	10	104334	DECAL, WARNING ELECTRICAL SHOCK
1	9	114169	DECAL, WARNING, USE IN WELL VENTILATED AREA
2	8	104269	DECAL, WARNING ROTATING MACHINERY
1	7	103662	DECAL, WARNING HIGH PRESSURE
1	6	114165	DECAL, UNLEADED FUEL ONLY
1	5	104317	DECAL, MANIFOLD MAINTENANCE
1	4	103415	DECAL, ENGINE OIL DRAIN
1	3	103645	DECAL, ENGINE COVER WARRANTY
1	2	103644	DECAL, DANGER ROTATING MACHINERY
1	1	103640	DECAL, CAUTION HOT SURFACE
QTY	ITEM	PART NO.	DESCRIPTION

SECTION FIVE: SPARE PARTS AND REFERENCE DOCUMENTS

**OPTIONAL ACCESSORY
124982 KIT WASTE PUMP-OUT**



MUST HAVE GROUP 24 BATTERY INSTALLED TO USE PUMP

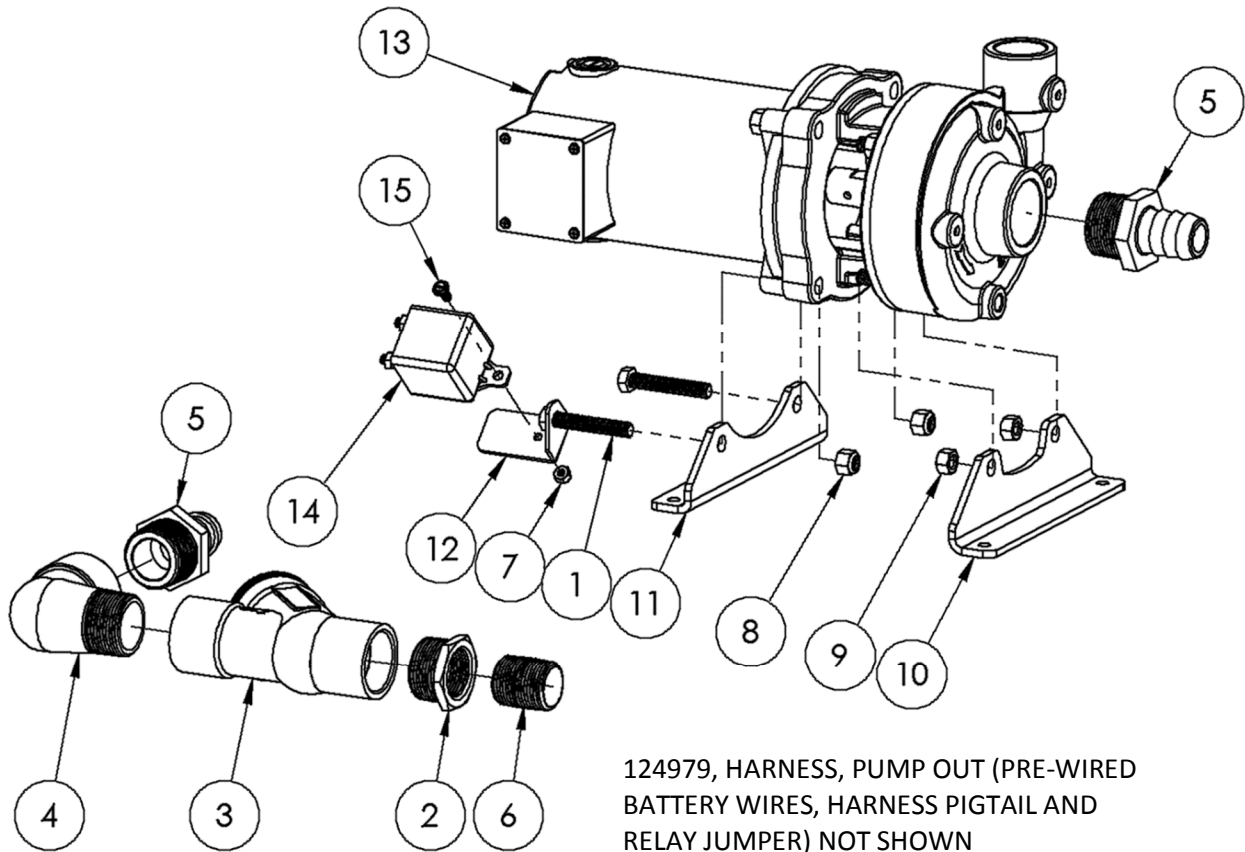
6	10	124985	SCREW, 1/4-14 X 1 HWH TEKS 3
6 FT	9	106035	HOSE, WTR 1 IN HRZ 100 FT BULK
1	8	107155	HARNESS, WASTE PUMP OUT
1	7	125861	FTG, BARB 1-1/4 P X 1 H PVC
4	6	102857	CLAMP, HOSE #20 SS
1	3	124883	ASSY, VALVE BRACKET
1	2	124889	ASSY, PUMP OUT
1	1	105753	ASSY, LEVEL SENSOR SHUTOFF WASTE
QTY	ITEM	PART NO.	DESCRIPTION

WASTE PUMP INSTALLATION DOCUMENT: PART NUMBER 125097

SECTION FIVE: SPARE PARTS AND REFERENCE DOCUMENTS

OPTIONAL ACCESSORY (PART OF 124982)

124889 WASTE PUMP OUT ASSEMBLY

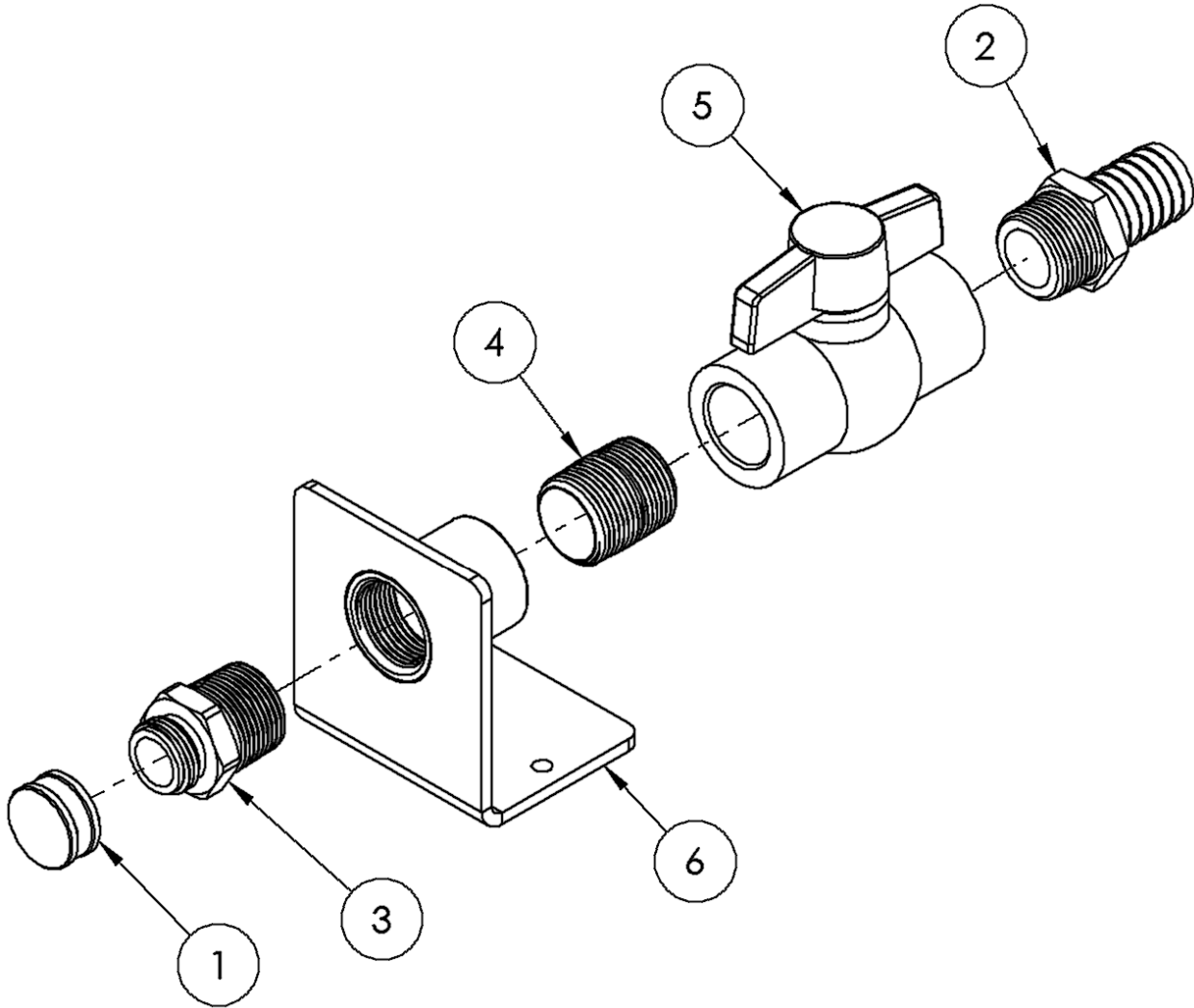


124979, HARNESS, PUMP OUT (PRE-WIRED BATTERY WIRES, HARNESS PIGTAIL AND RELAY JUMPER) NOT SHOWN

APPLY PIPE SEALANT TO ALL PIPE THREADS BEFORE ASSEMBLY

1	15	123600	SCREW, MACH 10-32 X 1/2 HSWH ZP
1	14	124981	RELAY, 12V 200A
1	13	124894	PUMP, 12V DC CENTRIFUGAL
1	12	124980	PNL, RELAY BRACKET
1	11	125980	PNL, PUMP MOUNT REAR SUPPORT
1	10	125979	PNL, PUMP MOUNT FRONT SUPPORT
6	9	125067	NUT, 3/8-16 ZP
2	8	109391	NUT, 3/8-16 NYLOK SS
1	7	109662	NUT, 10-32 NYLOK SS
1	6	125458	NIPPLE, 1.0 NPT CLOSE BRASS
2	5	125861	FTTG, BARB 1-1/4 P X 1 H PVC
1	4	125862	ELL, STREET 1-1/4 NPT POLY
1	3	125677	CHECK VALVE, BALL 1-1/4 NPT PVC
1	2	125457	BUSHING, 1.25 NPT X 1 FNPT BRASS
2	1	125850	BOLT, TAP 3/8-16 X 2-1/4 HXHD SS
QTY	ITEM	PART NO.	DESCRIPTION

SECTION FIVE: SPARE PARTS AND REFERENCE DOCUMENTS
OPTIONAL ACCESSORY (PART OF 124982)
124883 WASTE OUTLET VALVE & BRACKET ASSEMBLY W-BOM TABLE



APPLY PIPE SEALANT TO ALL PIPE THREADS BEFORE ASSEMBLY

1	6	124884	WMT, VALVE BRACKET
1	5	124888	VALVE, BALL 1.0 FNPT PVC
1	4	125458	NIPPLE, 1.0 NPT CLOSE BRASS
1	3	124987	FITG, GRDN HOSE 1 NPT X 3/4 H BRASS
1	2	121755	FITG, BARB 1 P X 1 H BRASS
1	1	102527	CAP, GARDEN HOSE 3/4 BRASS
QTY	ITEM	PART NO.	DESCRIPTION

SECTION FIVE: SPARE PARTS AND REFERENCE DOCUMENTS
126703 WIRING DIAGRAM

