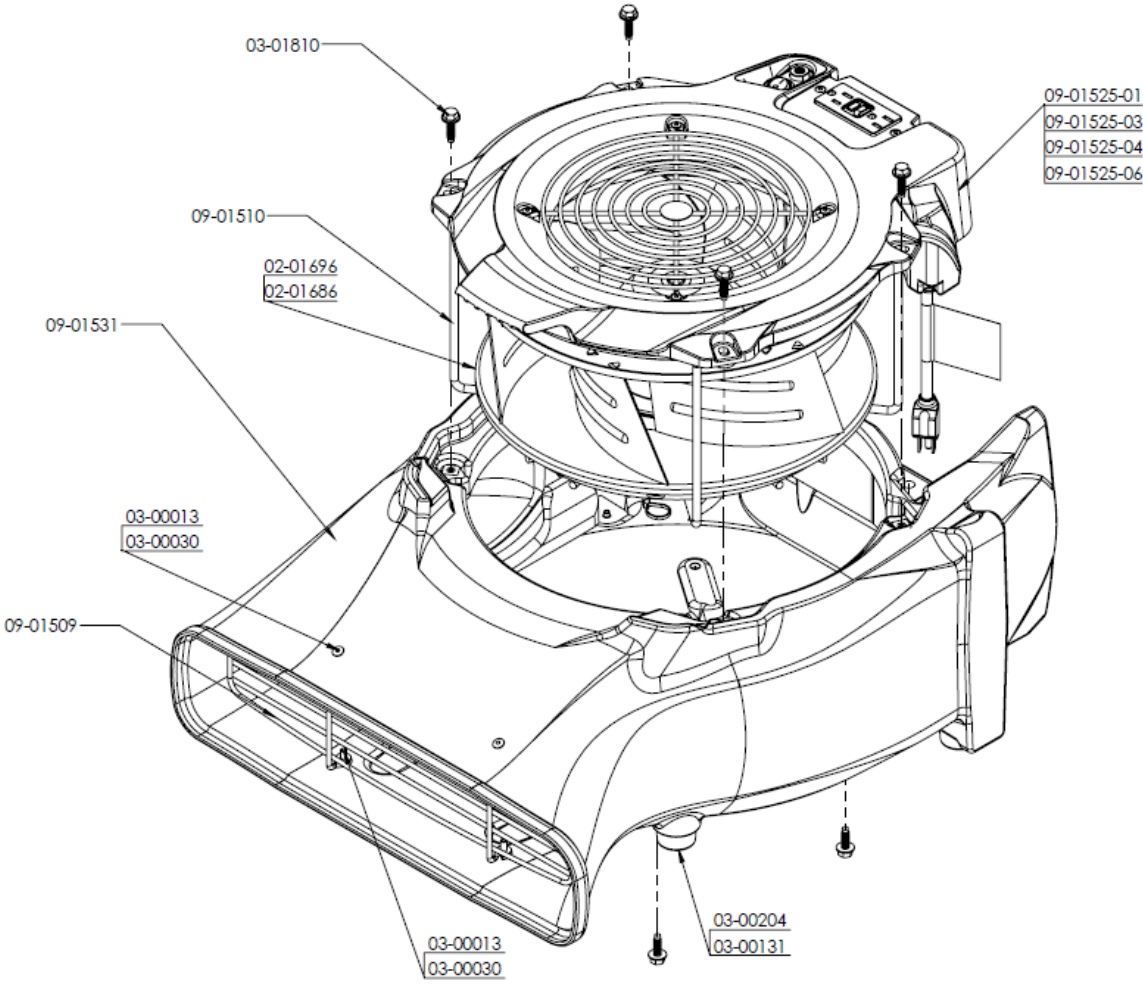


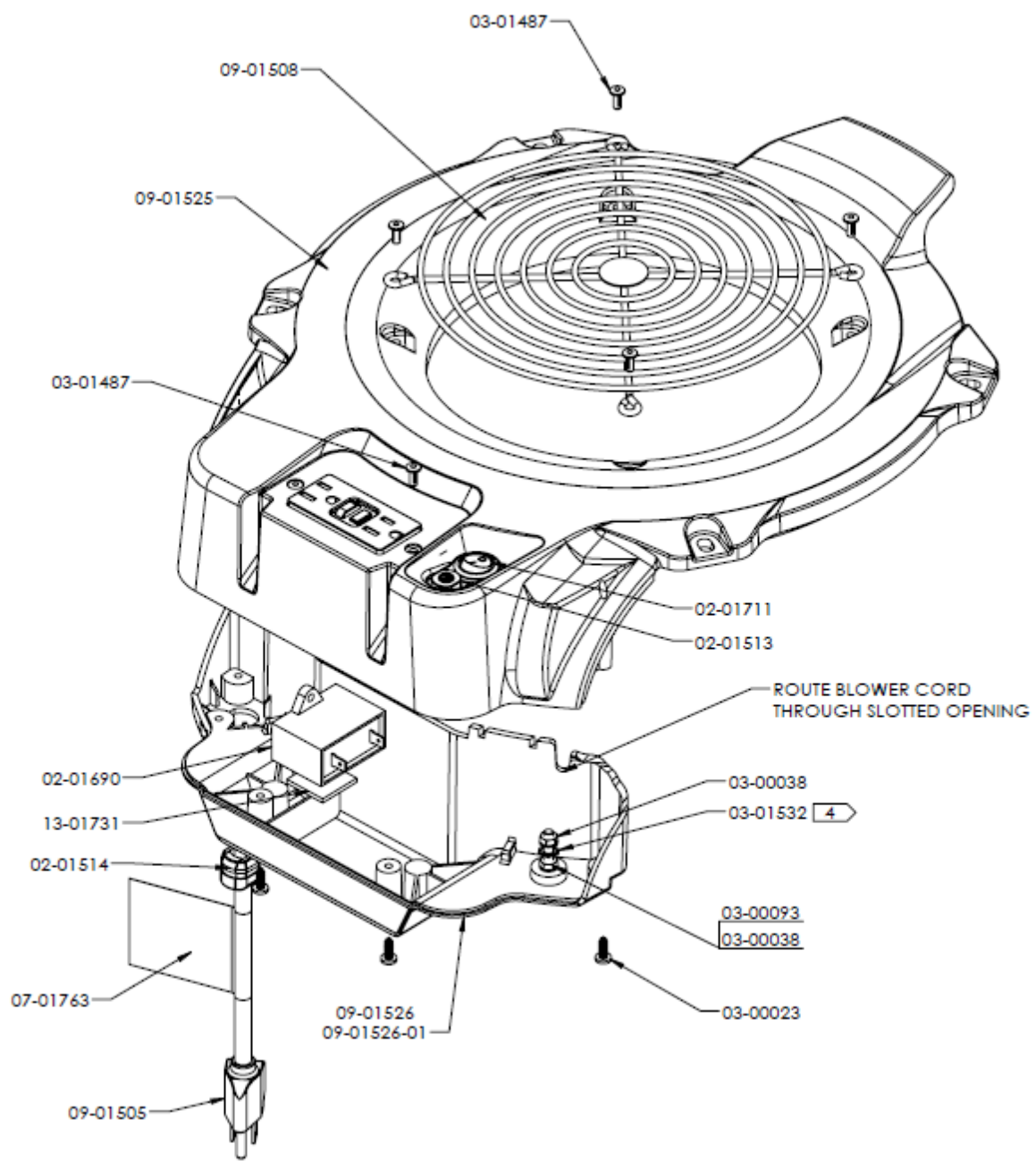
114965 (F504) VELO 115/230V

PARTS LIST



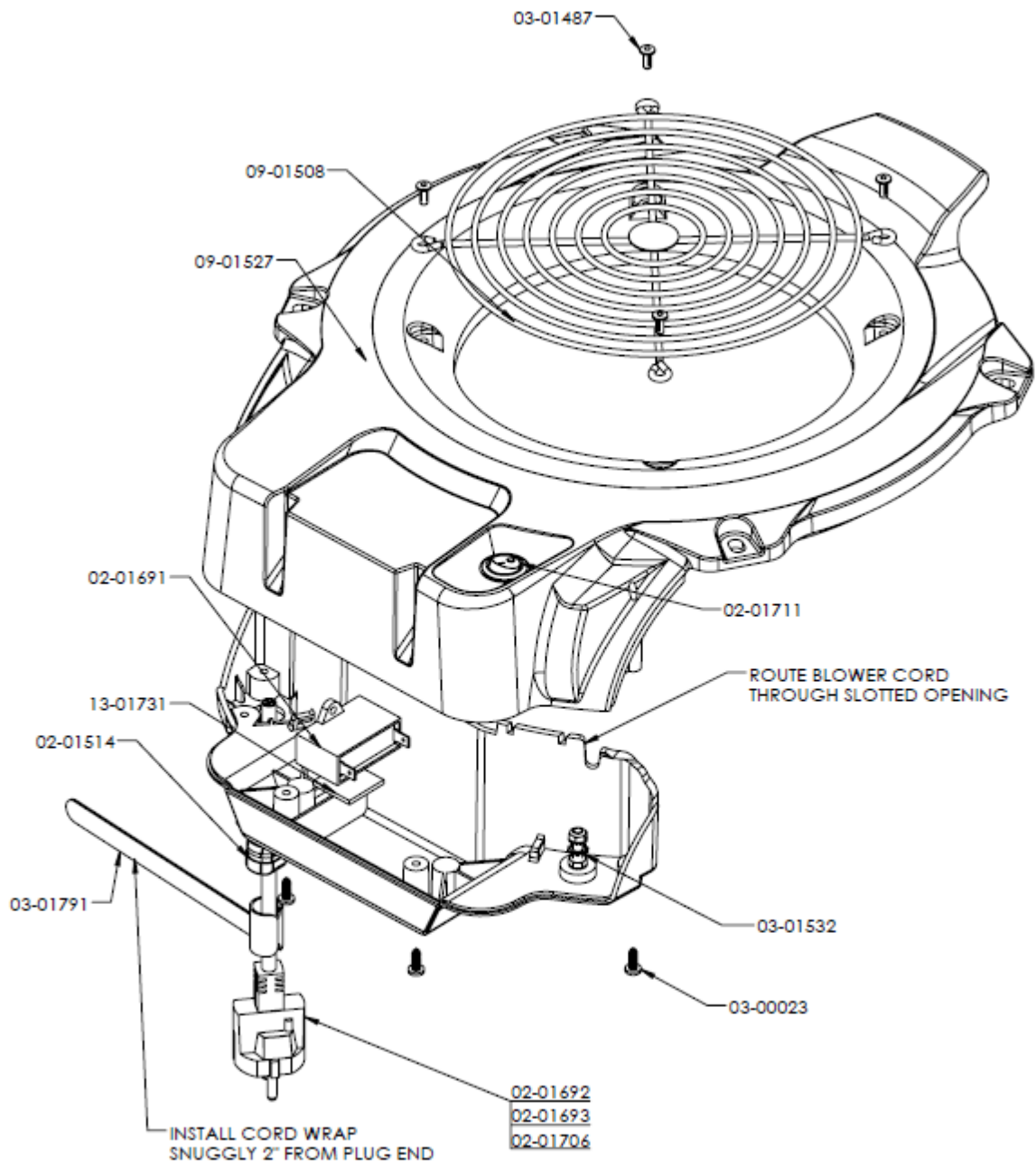
CONTINUES ON NEXT PAGE

NEW PART NO.	OLD PART NO.	QTY	DESCRIPTION
101431	02-01686	1	BLOWER ASSY - MOTORIZED IMPELLER 115V 190W 1600 RPM 1SP VELO
102572	02-01696	1	BLOWER ASSY - MOTORIZED IMPELLER 230V 124W 1300 RPM 1SP VELO
114773	03-00013	4	WASHER - 3/16 RIVET .19 ID X .47 OD X .05 ZP
114104	03-00030	4	RIVET - 3/16 X 1/2 AL/AL BLK ANOD
106508	03-00131	4	FOOT - ROUND 3/16 ID X 1.25 OD X 5/8 RUBBER BLK
112015	03-00204	4	RIVET - 3/16 X 5/8 TRI FOLD AL/AL
114470	03-01810	4	SCREW - M6 X 22MM HWH NYLOC ZP MATPOINT
117215	09-01509	1	GRILL - OUTLET PC GL BLK VELO
111113	09-01510	1	MOUNT - BLOWER WIRE FORM ZP STL VELO
104873	09-01525- 01	1	ELECTRICAL BOX ASSY – 115V VELO
104215	09-01525- 03	1	ELECTRICAL BOX ASSY - 230V VELO EU
104214	09-01525- 04	1	ELECTRICAL BOX ASSY - 230V VELO AU
121031	09-01525- 06	1	ELECTRICAL BOX ASSY - 230V VELO UK
117522	09-01531	1	HOUSING - POLYETHYLENE VELO FISHER BLUE



115V

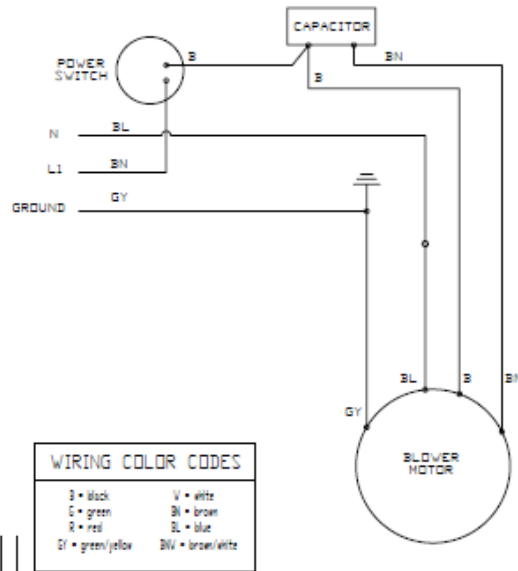
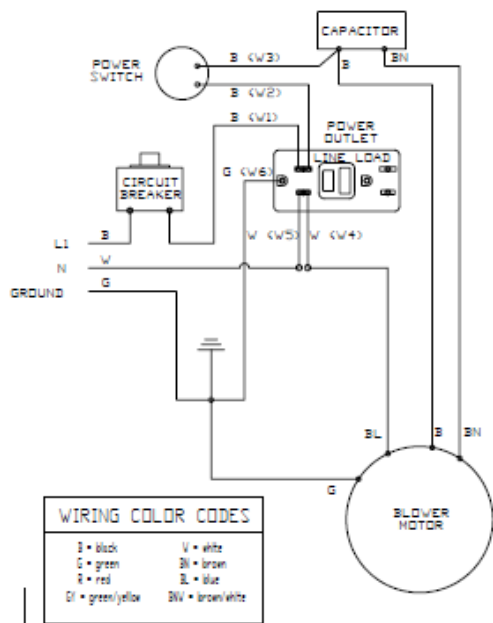
NEW PART NO.	OLD PART NO.	QTY	DESCRIPTION
102770	02-01513	1	CIRCUIT BREAKER – 12A THERMAL SNAP
113464	02-01514	1	STRAIN RELIEF – LIQUID TIGHT .370 DIA X .13 BLK
102541	02-01690	1	CAPACITOR – 16MFD 250V W/MTG BRKT
119709	02-01711	1	SWITCH – ROCKER SPST ROUND
112357	03-00023	5	SCREW - #8 X ½ PHIL PH ZP
123051	03-00038	2	NUT - #10-24 W/STAR WASHER ZP
112673	03-00093	1	SCREW - #10-24 X 1 SER HWH ZP
123076	03-01487	6	RIVET – 5/32 X ¼ TRI FOLD AL/AL BLK
117958	07-01763	1	LABEL – WARNING POWER CORD FANS
111255	09-01505	1	POWER CORD ASSY – 14/3 SJTW 5015P 15FT VELO
117210	09-01508	1	GRILL – INLET PC GL BLK VELO
115080	09-01526	1	PANEL – ELECTRICAL BOX BOTTOM ABS BLK VELO
103980	09-01529	1	ENCLOSURE – ELECTRICAL BOX INLET RING 115V VELO
115829	13-01731	1	TAPE – 1 IN WIDE DOUBLE SIDED MTG HEAVY DUTY



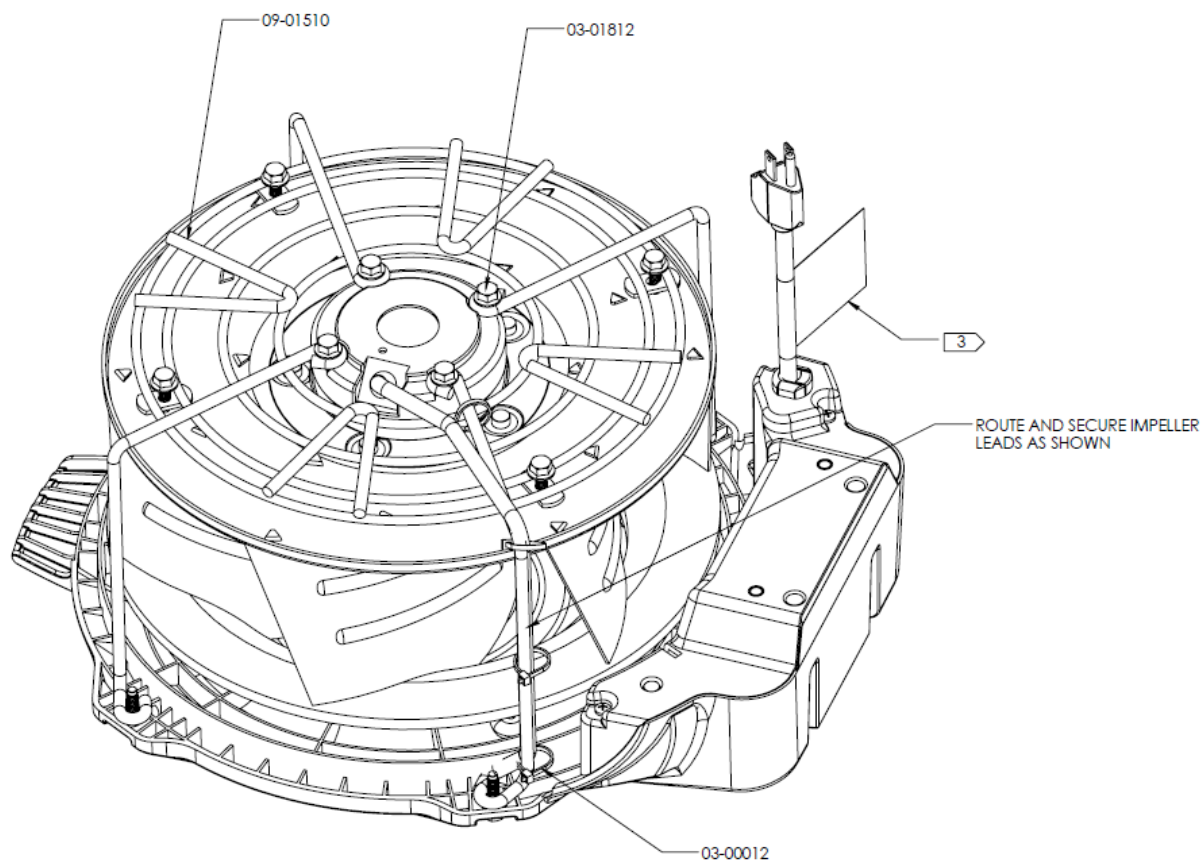
NEW PART NO.	OLD PART NO.	QTY	DESCRIPTION
113464	02-01514	1	STRAIN RELIEF – LIQUID TIGHT .370 DIA X .13 BLK
102496	02-01691	1	CAPACITOR – 4MFD 450V W/MTG BRKT
111317	02-01692	1	POWER CORD ASSY – 3 X 1.0MM HO7RNF CEE7/7 16FT VELO
111065	02-01693	1	POWER CORD ASSY – 3 X 1.00MM H07RNF AS 3112
111318	02-01706	1	POWER CORD ASSY – 3 X 1.0MM H07RNF BS1363 16FT VELO
119709	02-01711	1	SWITCH – ROCKER SPST ROUND
112357	03-00023	5	SCREW - #8 X ½ PHIL PH ZP
123076	03-01487	4	RIVET – 5/32 X ¼ TRI FOLD AL/AL BLK
120133	03-01532	2	WASHER - #10 ANSI EXTERNAL TOOTH ZP
119688	03-01791	1	STRAP – VELCRO CABLE TIE 8.00 X .50
117210	09-01508	1	GRILL – INLET PC GL BLK VELO
103789	09-01527	1	ENCLOSURE – ELECTRICAL BOX INLET RING 230V VELO
115829	13-01731	1	TAPE – 1 IN WIDE DOUBLE SIDED MTG HEAVY DUTY

© VELO – 115V 60HZ WIRING DIAGRAM

VELO – 230V 50HZ WIRING DIAGRAM

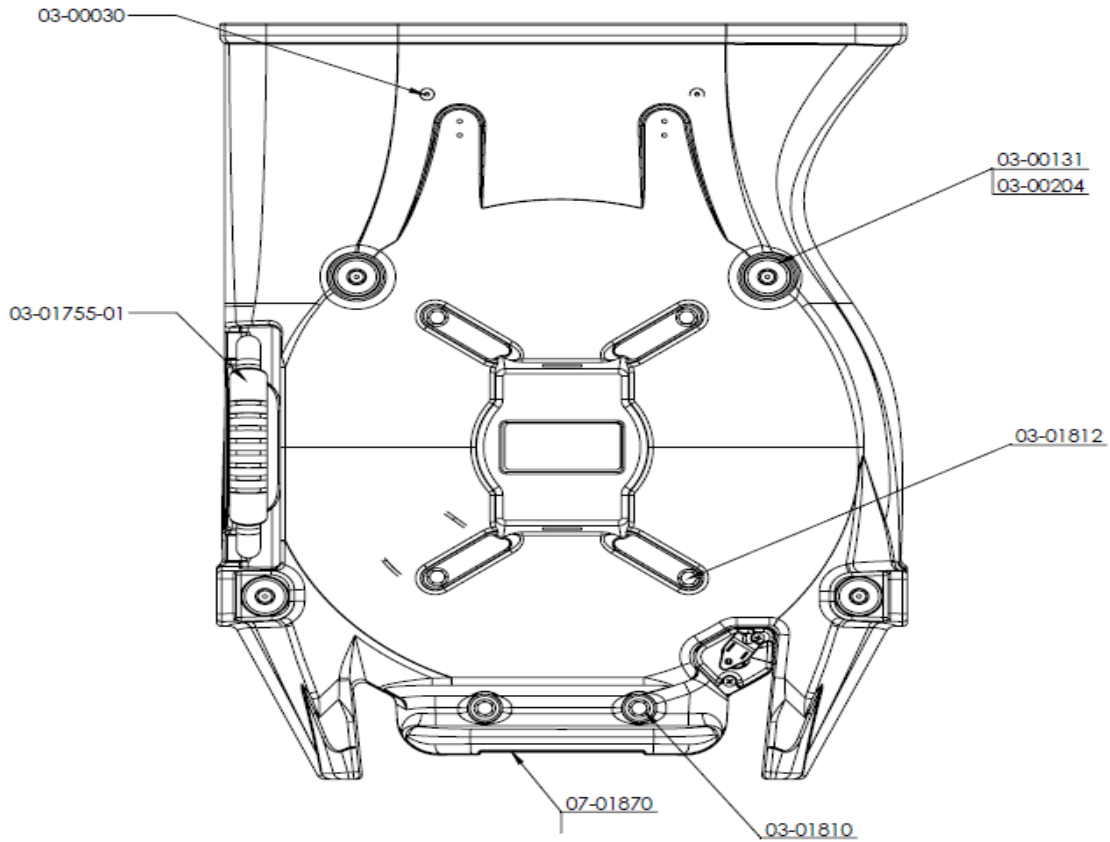


INSIDE VIEW



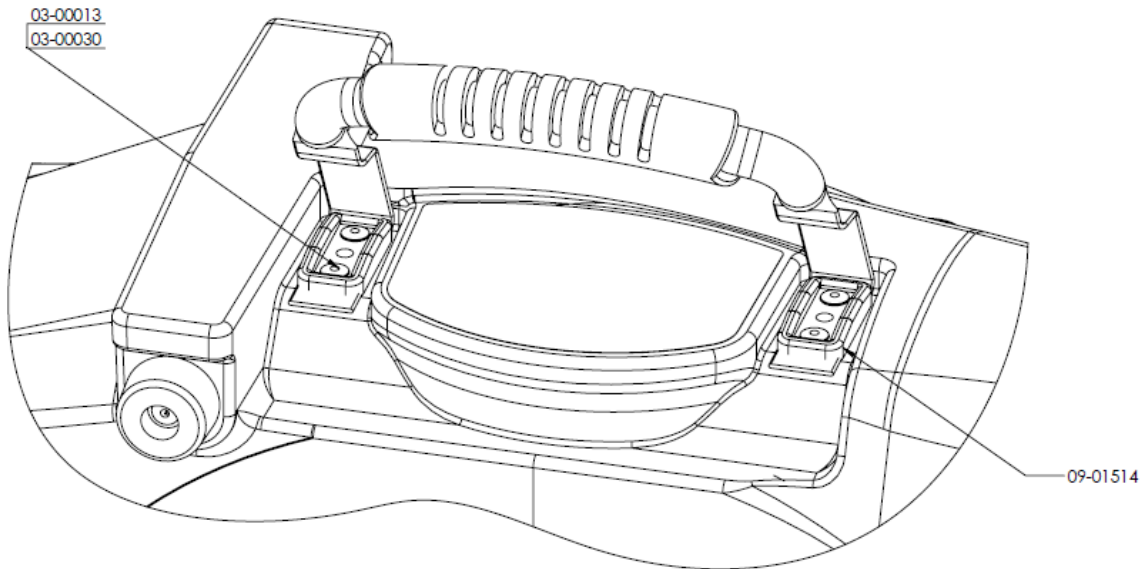
NEW PART NO.	OLD PART NO.	QTY	DESCRIPTION
102216	03-00012	4	CABLE TIE - 4 NYLON
119416	03-01812	8	SCREW - M6 X 18MM HWH NYLOC ZP MATPOINT
111113	09-01510	1	MOUNT - BLOWER WIRE FORM ZP STL VELO

BOTTOM VIEW



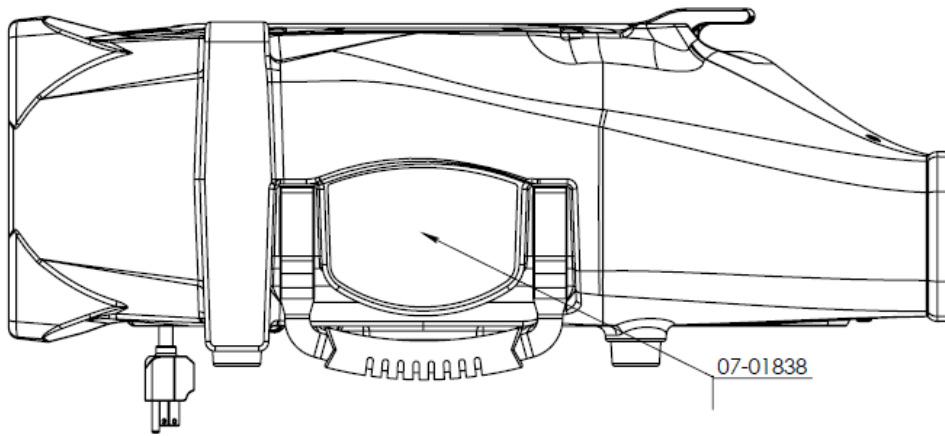
NEW PART NO.	OLD PART NO.	QTY	DESCRIPTION
114104	03-00030	4	RIVET - 3/16 X 1/2 AL/AL BLK ANOD
106508	03-00131	4	FOOT - ROUND 3/16 ID X 1.25 OD X 5/8 RUBBER BLK
112015	03-00204	4	RIVET - 3/16 X 5/8 TRI FOLD AL/AL
117248	03-01755-01	1	HANDLE - GRAB WITH LIFTING STRAP
114470	03-01810	2	SCREW - M6 X 22MM HWH NYLOC ZP MATPOINT
119416	03-01812	4	SCREW - M6 X 18MM HWH NYLOC ZP MATPOINT
107463	07-01870	1	LABEL - WARNING VELO
117953	07-01896	1	LABEL - WARNING HEYLO

HANDLE VIEW



NEW PART NO.	OLD PART NO.	QTY	DESCRIPTION
114773	03-00013	4	WASHER - 3/16 RIVET .19 ID X .47 OD X .05 ZP
114104	03-00030	4	RIVET - 3/16 X 1/2 AL/AL BLK ANOD
102724	09-01514	2	CLIP - HANDLE MTG NYLON BLK

SIDE VIEW (LABEL)



NEW PART NO.	OLD PART NO.	QTY	DESCRIPTION
117938	07-01838	1	LABEL - PRODUCT VELO